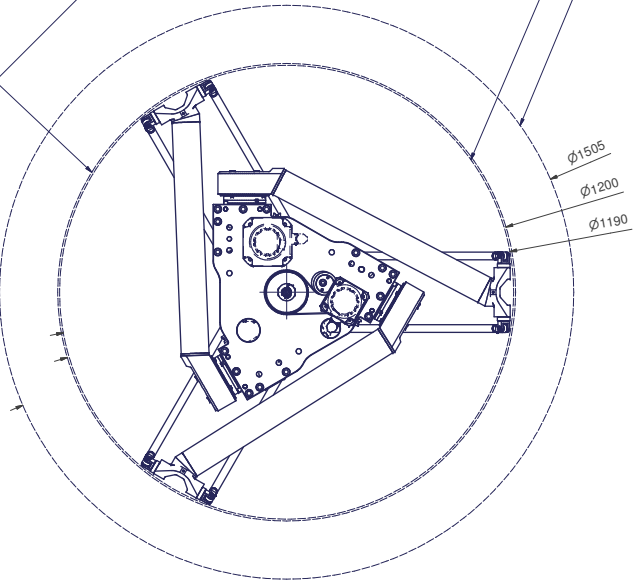
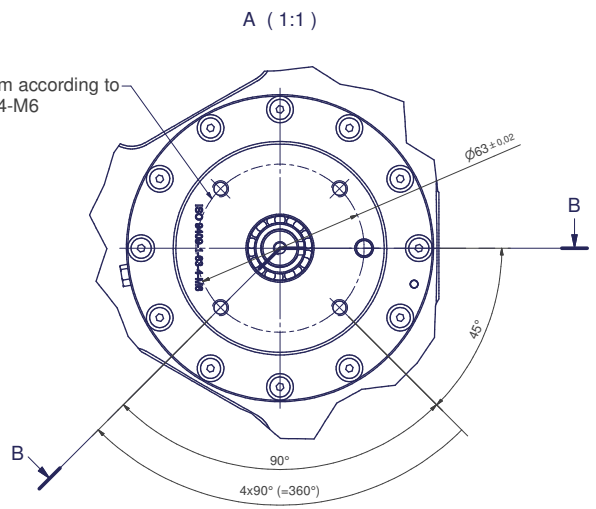


Tool Center Point
TCP (on the plane of the flange)

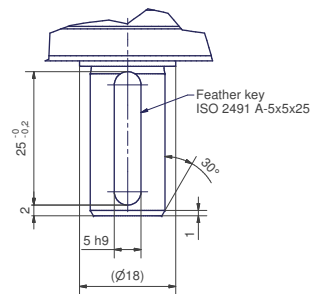
TCP - working range



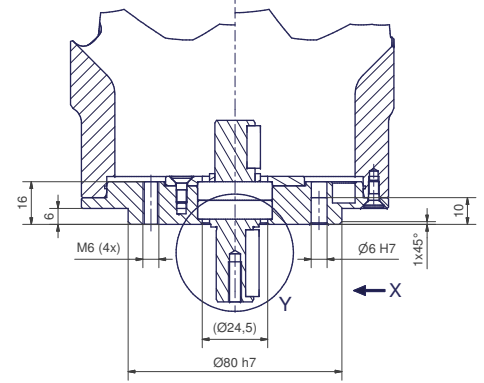
Flange diagramm according to
ISO 9409-1-63-4-M6



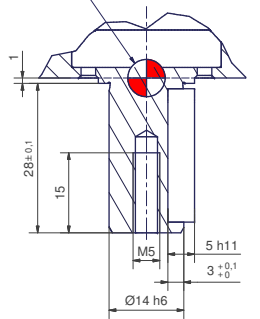
X (2:1)



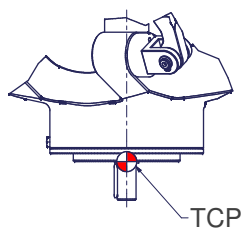
B-B



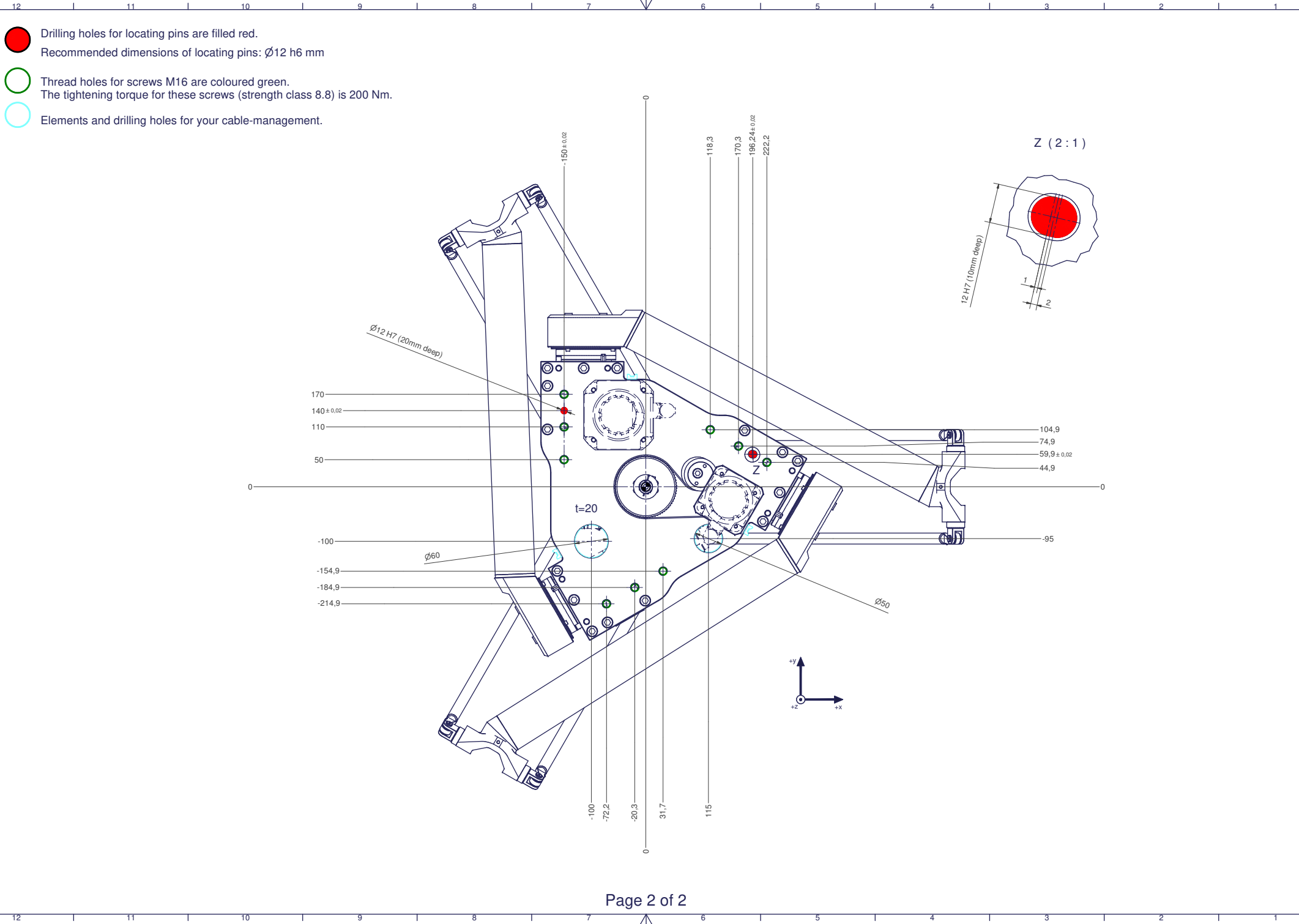
Y (2:1)



Z (1:2)



m= kg	A	bar
projected storage surface = m ²	P= kW	\dot{V} = l/min
U= V / Hz / Ph	I _{max} = A	



- Drilling holes for locating pins are filled red.
Recommended dimensions of locating pins: $\varnothing 12$ h6 mm
- Thread holes for screws M16 are coloured green.
The tightening torque for these screws (strength class 8.8) is 200 Nm.
- Elements and drilling holes for your cable-management.

