

Valid for article number: A_00902

m= kg	A	p= bar
projected storage surface = m²	P= kW	v= l/min
U=	V / Hz / Ph	
Imax=	A	

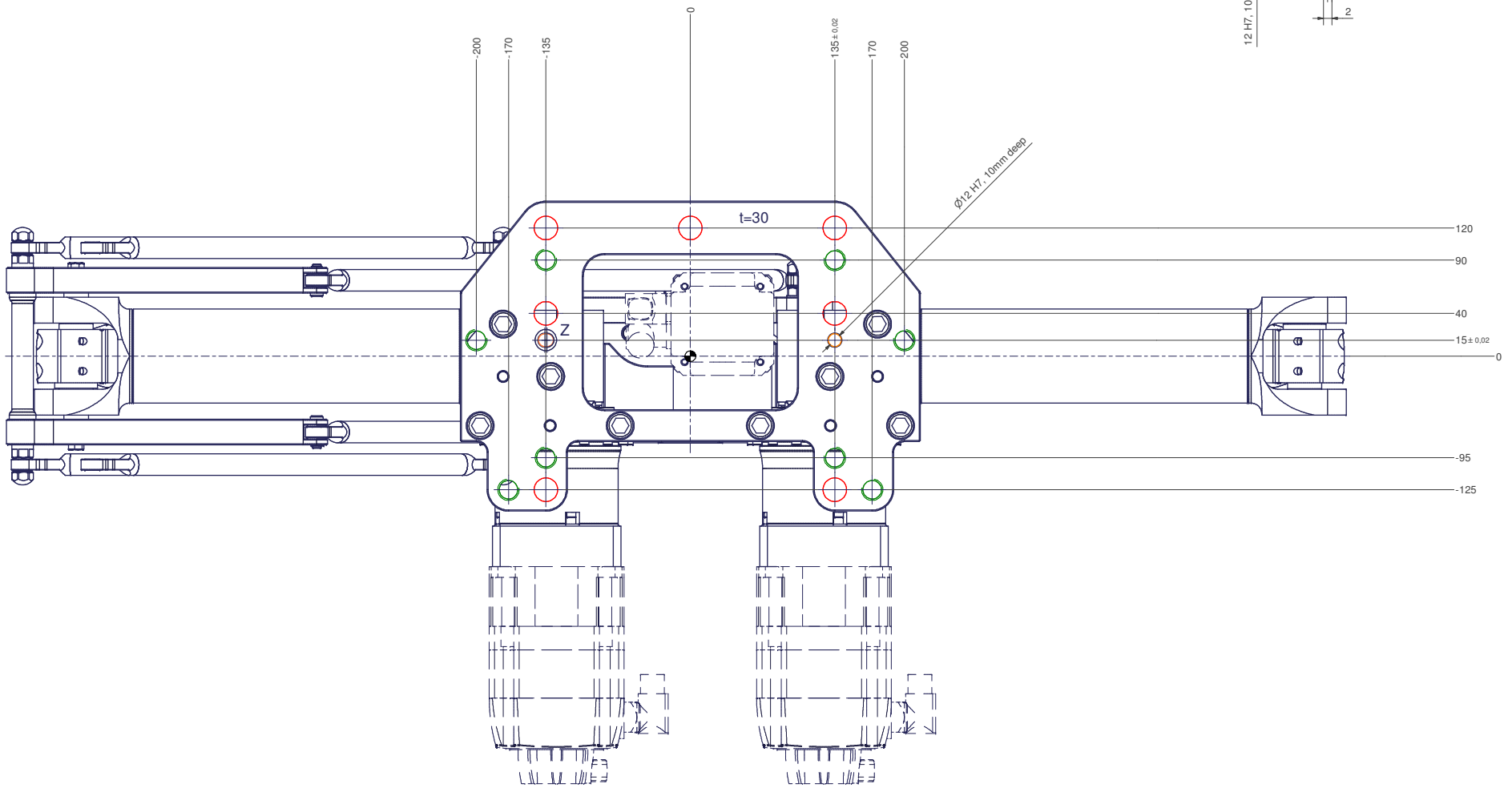
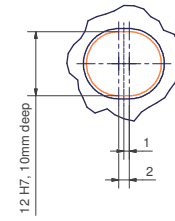
12 11 10 9 8 7 6 5 4 3 2 1

All fastening holes coloured red:
Ø22 (7x), 30 mm deep for screws M20

Fastening screw threads coloured green:
M20 (8x), 30 mm deep

Drilling holes for locating pins are coloured orange:
Recommended dimensions of locating pins: Ø12 h6

Z (2:1)



12 11 10 9 8 7 6 5 4 3 2 1