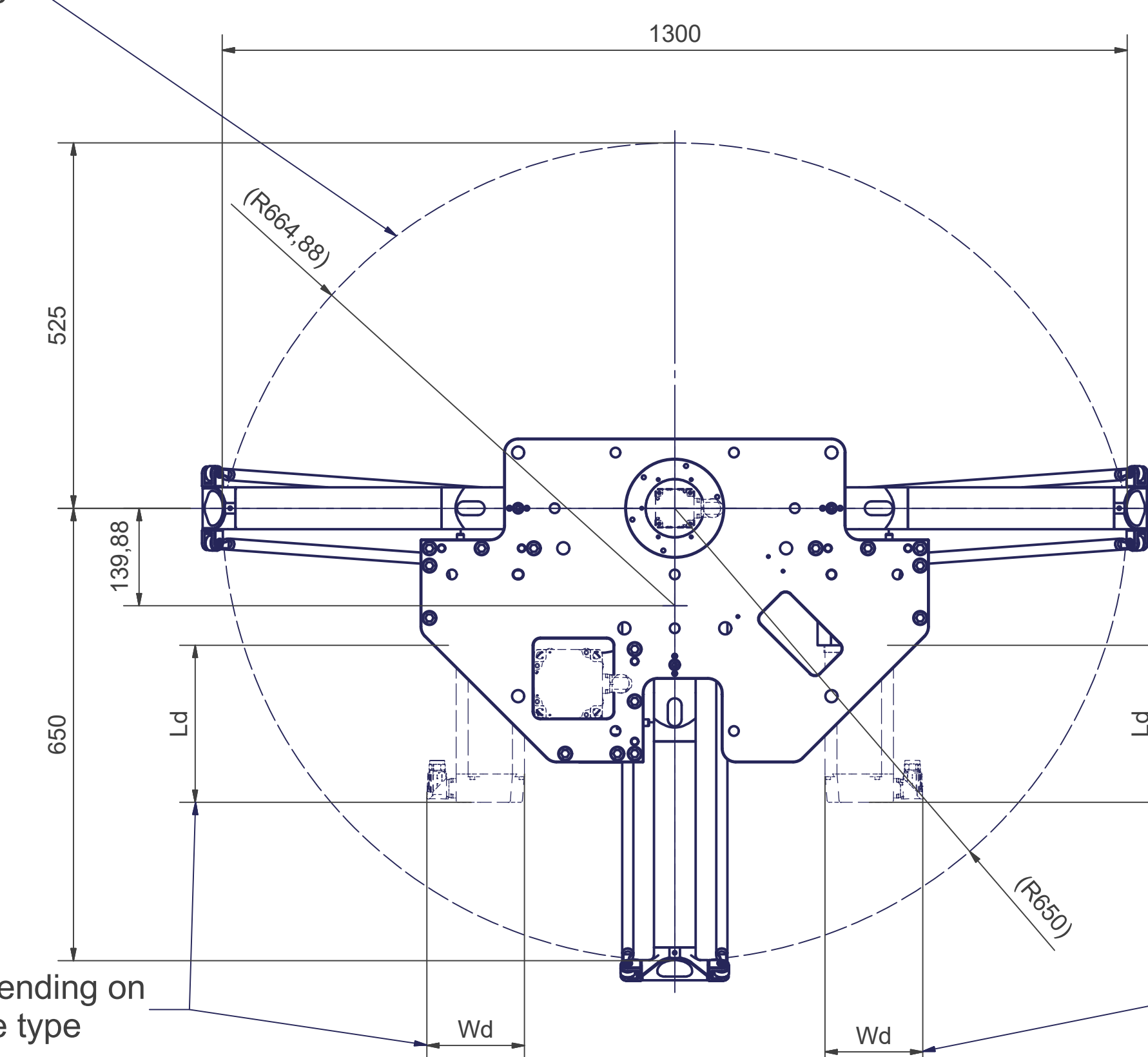
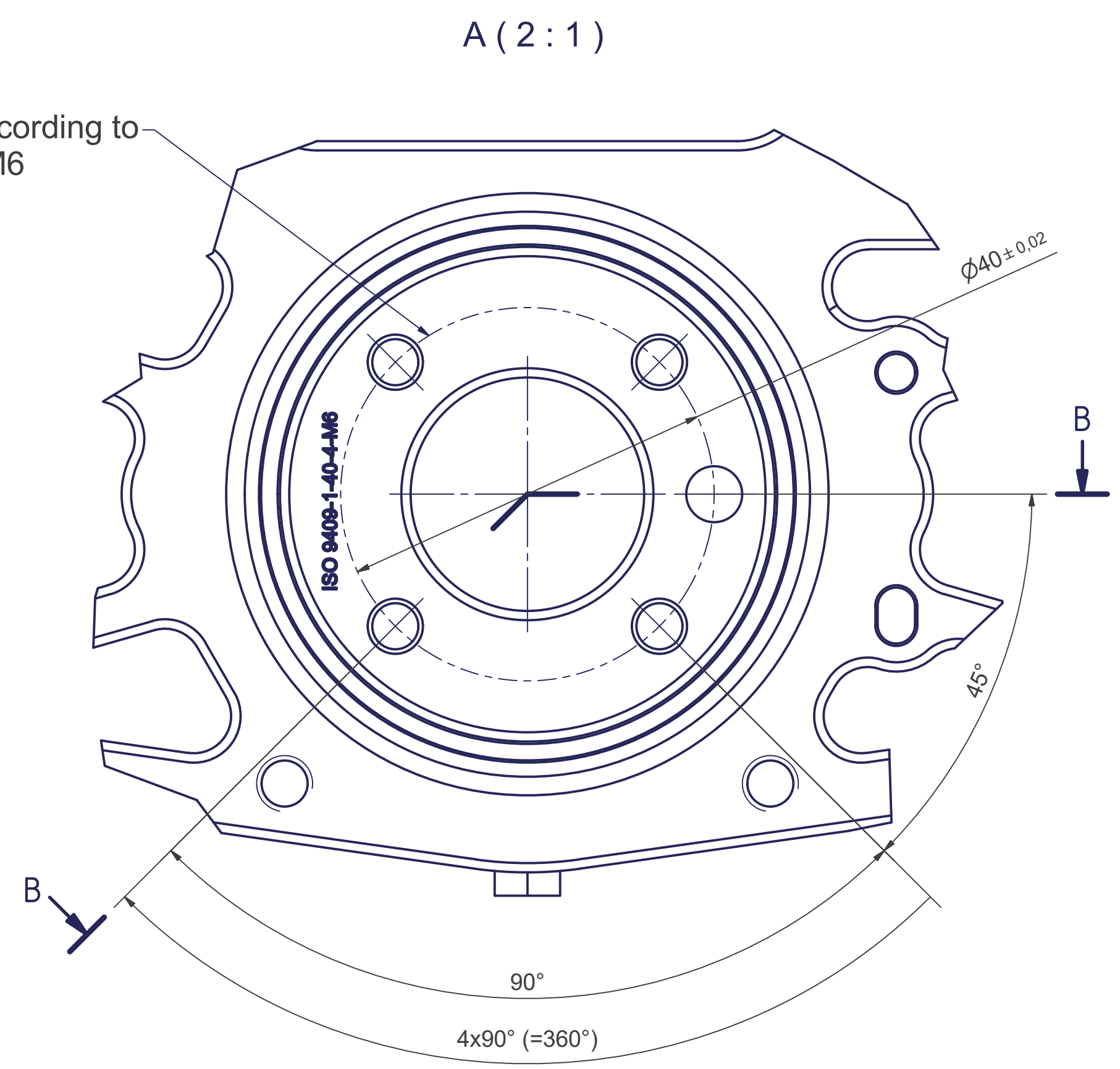


**Tool Center Point**  
TCP (on the plane of the flange)

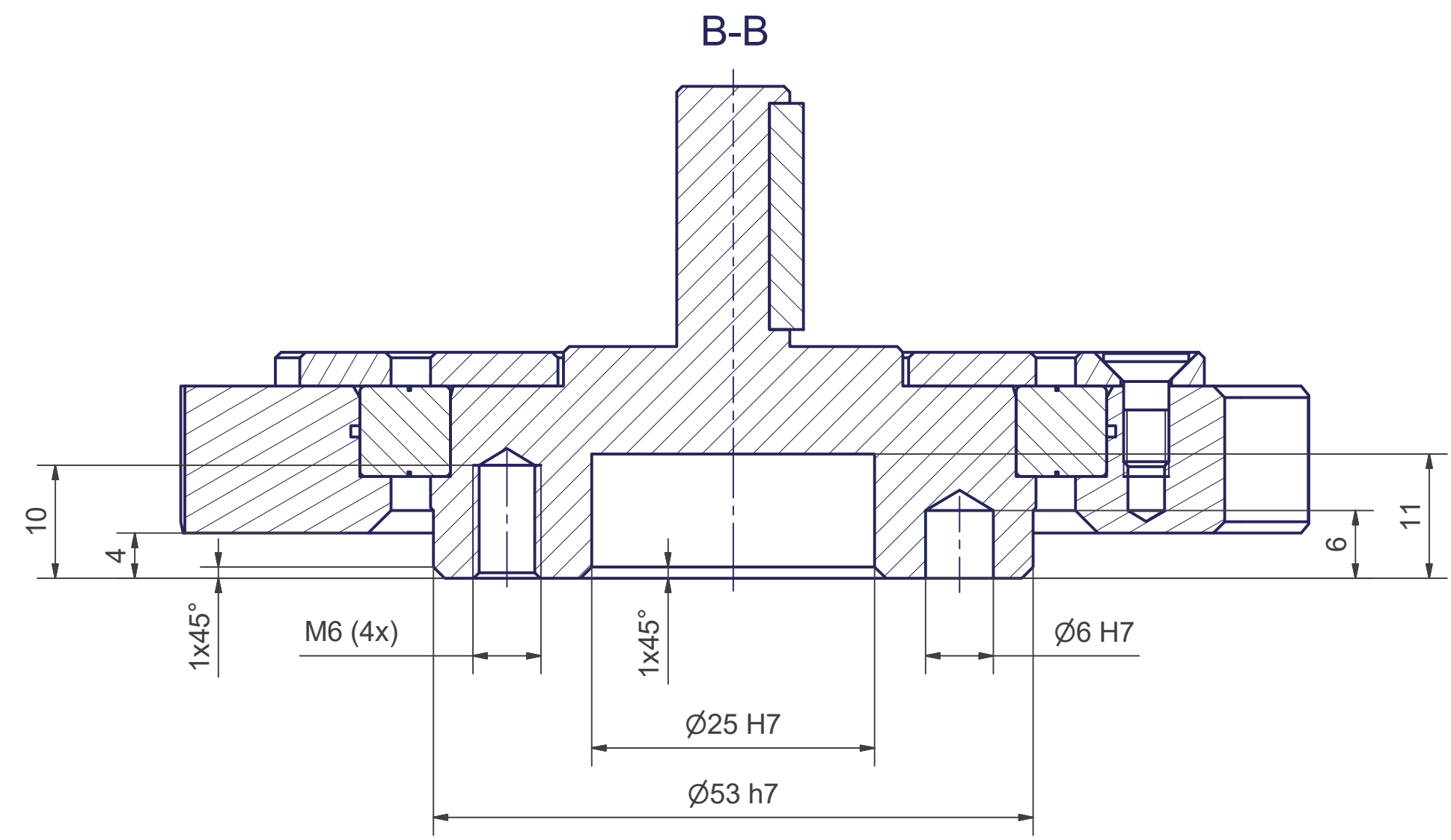
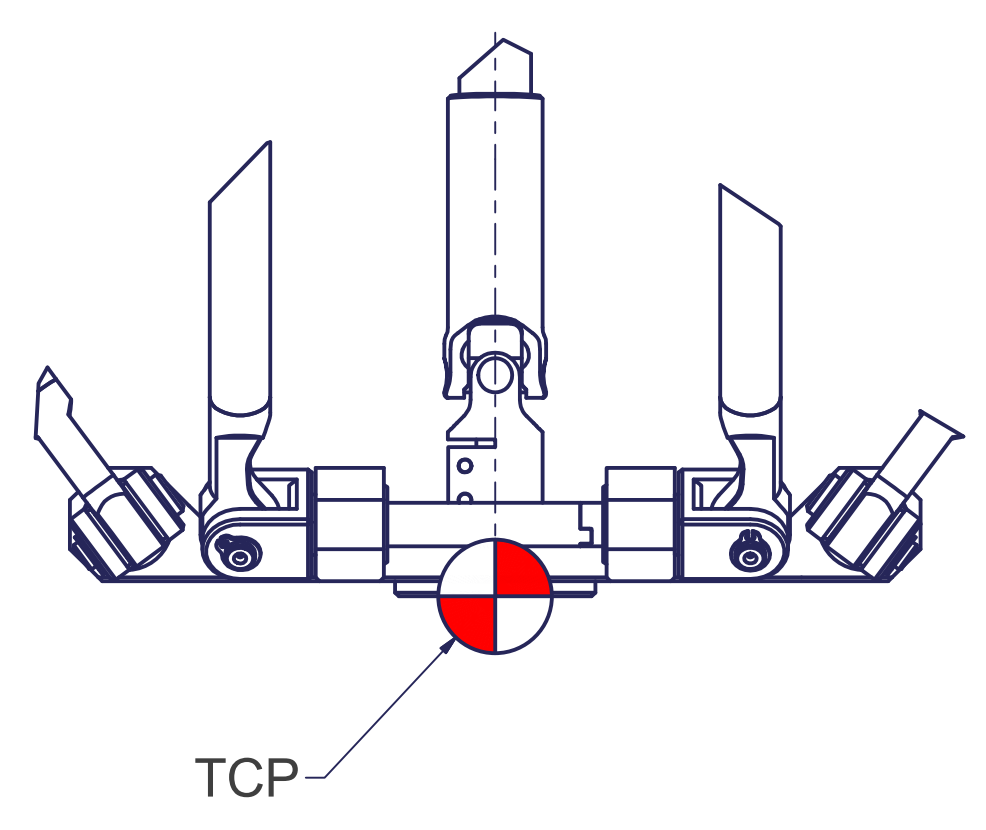
TCP - working range



Flange diagram according to  
ISO 9409-1-40-4-M6



Z (1:2)



m= kg	A	p= bar
proj. storage surface = m <sup>2</sup>	P= kW	v̇= l/min
	U= V / Hz / Ph	
	I <sub>max</sub> = A	

Connecting dimensions,  
valid for article number A\_00868



12

11

10

9

8

7

6

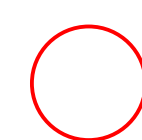
5

4

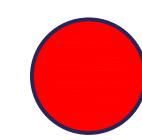
3

2

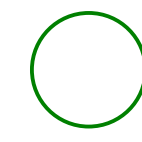
1



All fastening holes  $\varnothing 17,5$  mm for screws M16 (DIN ISO 4014/4017 -8.8) without washer. Fastening holes are coloured red.

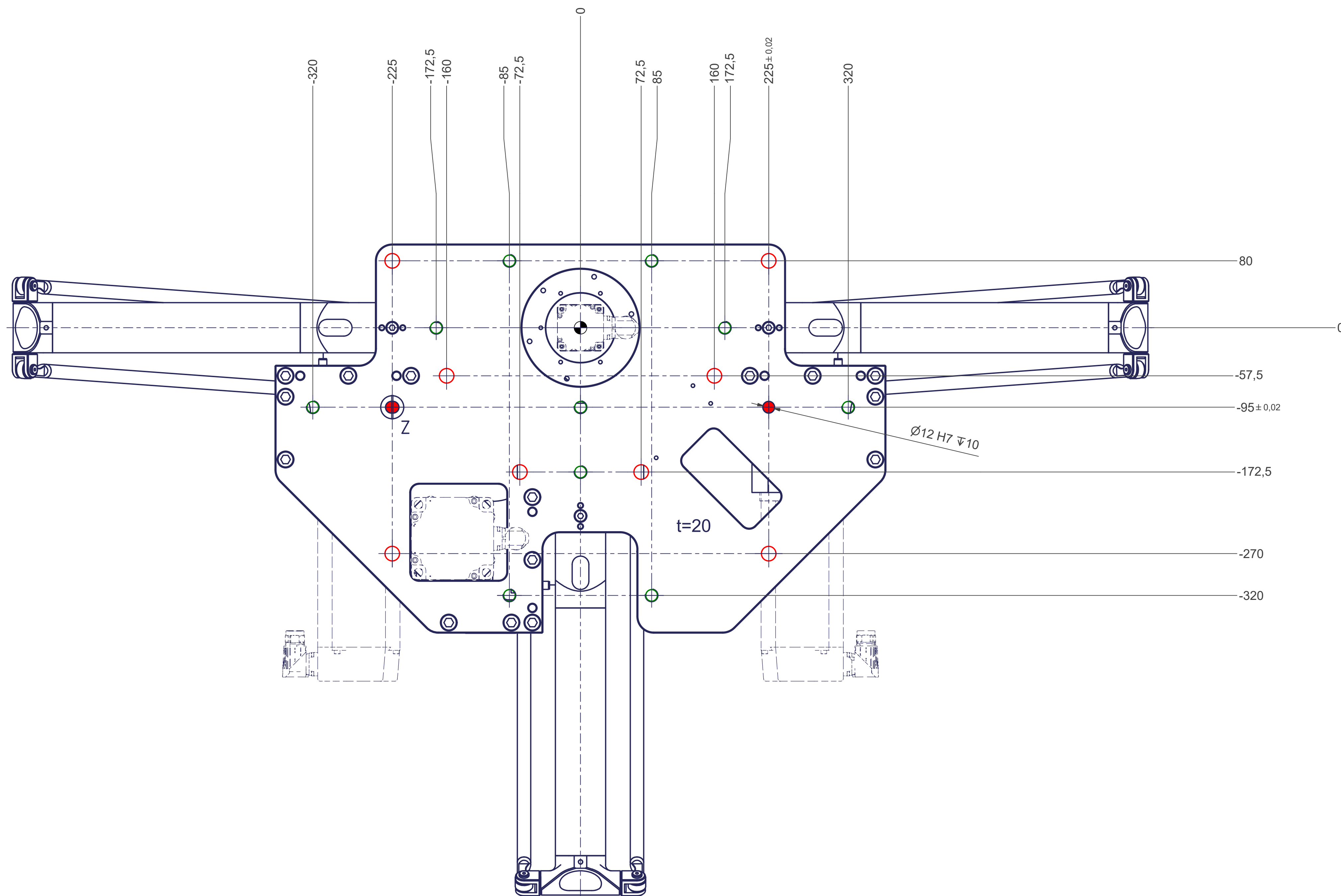
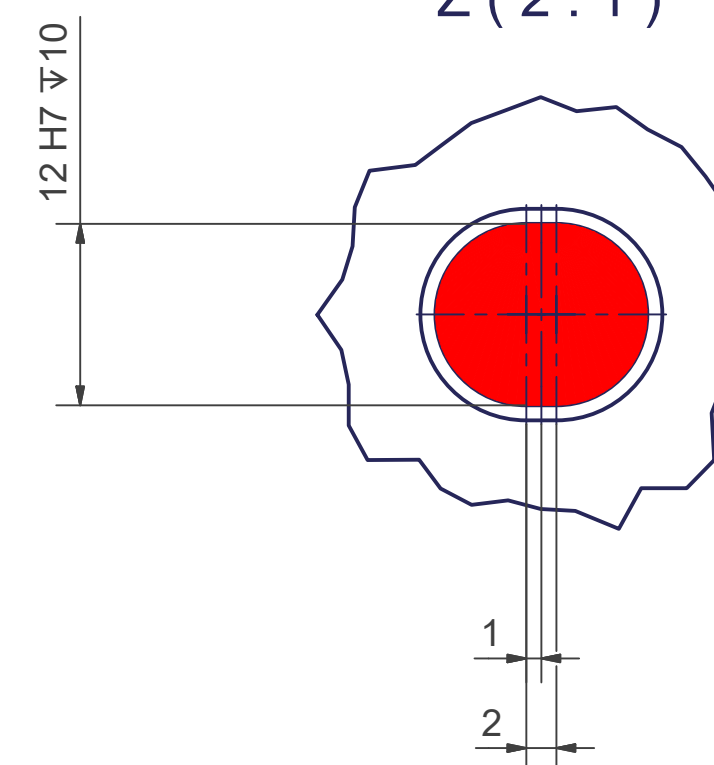


Drilling holes for locating pins are filled red. Recommended dimensions of locating pins:  $\varnothing 12$  h6 mm



Thread holes for screws M16 are coloured green. The tightening torque for these screws (strength class 8.8) is 102 Nm.

Z (2:1)



12

11

10

9

8

7

6

5

4

3

2

1