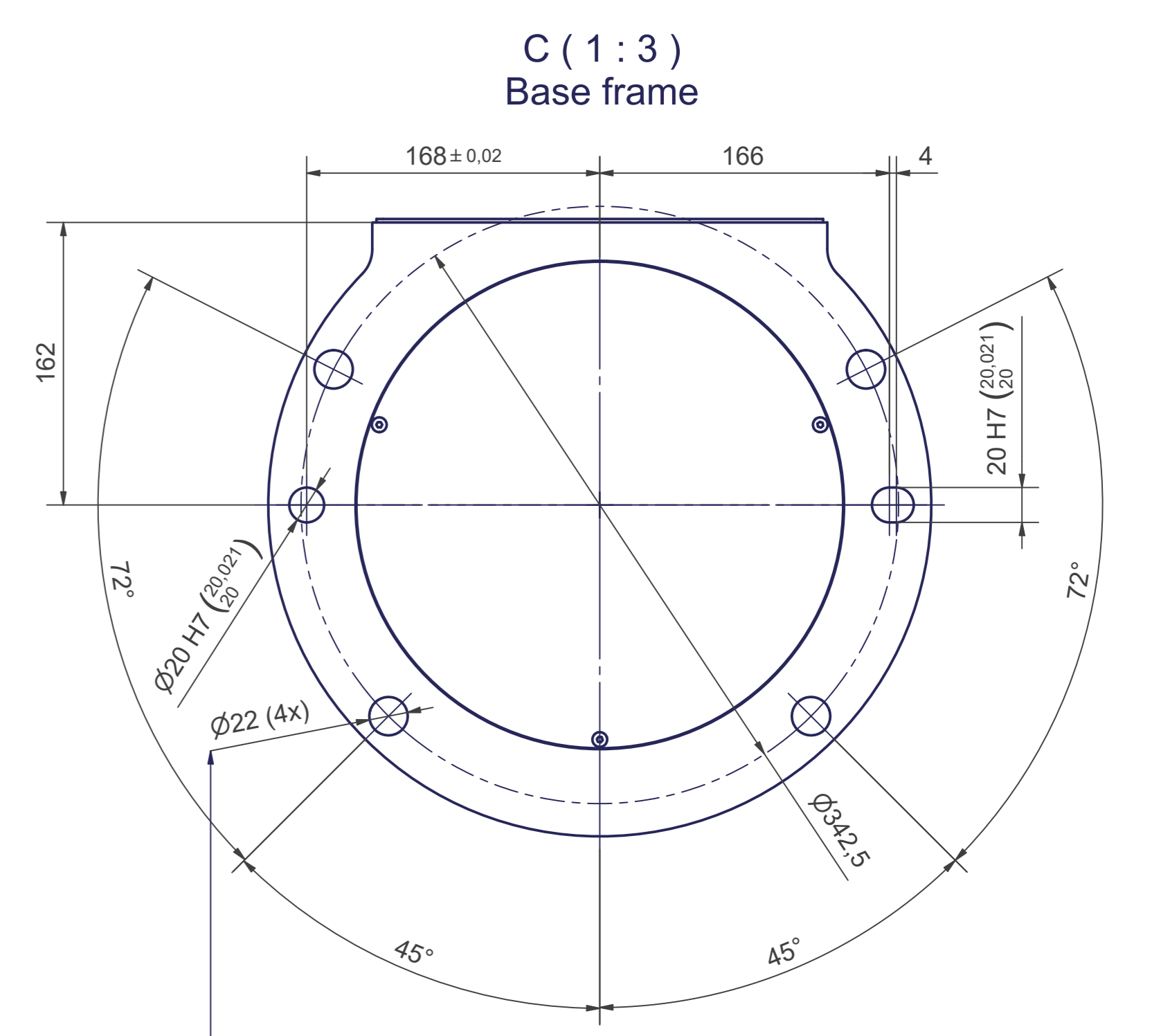
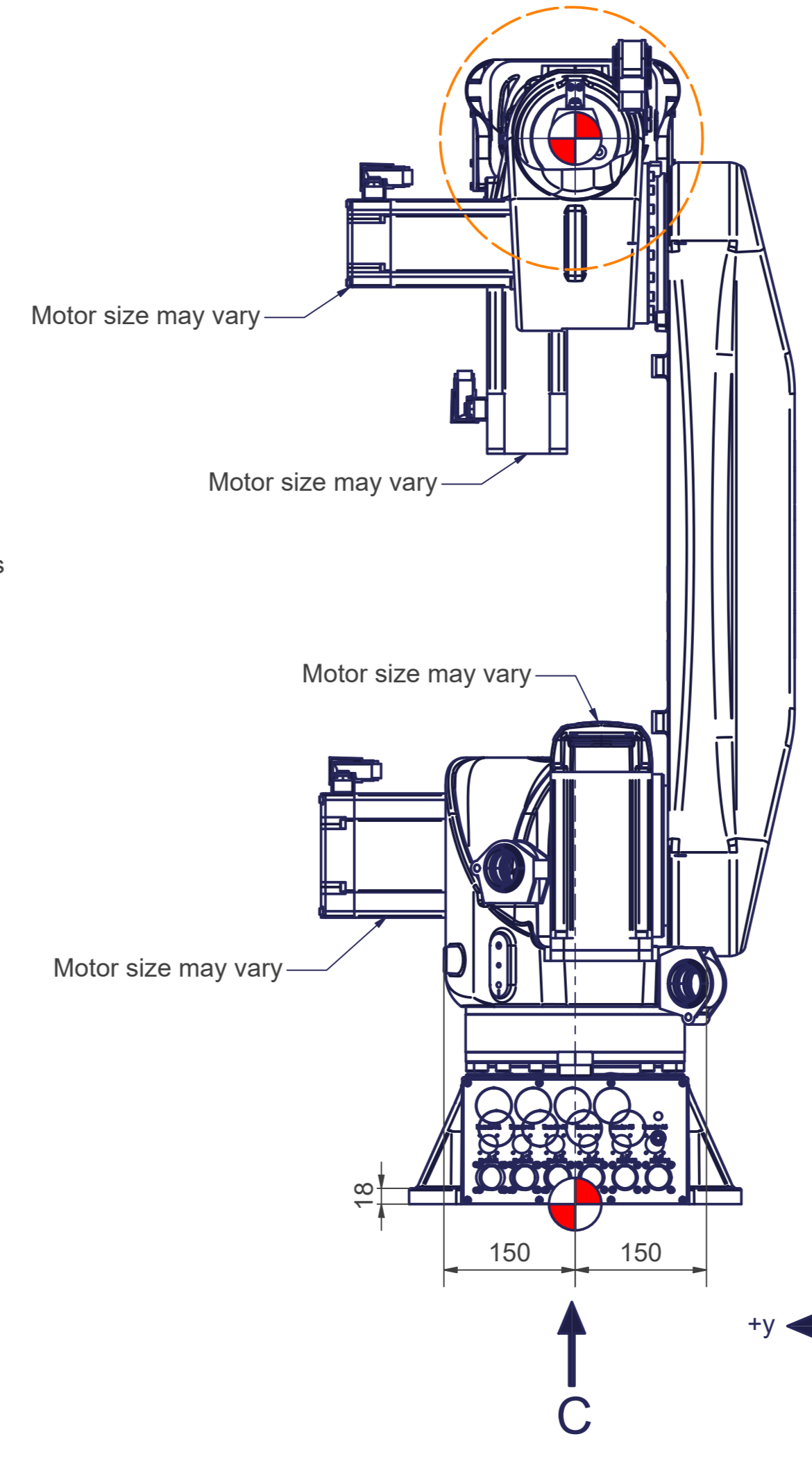


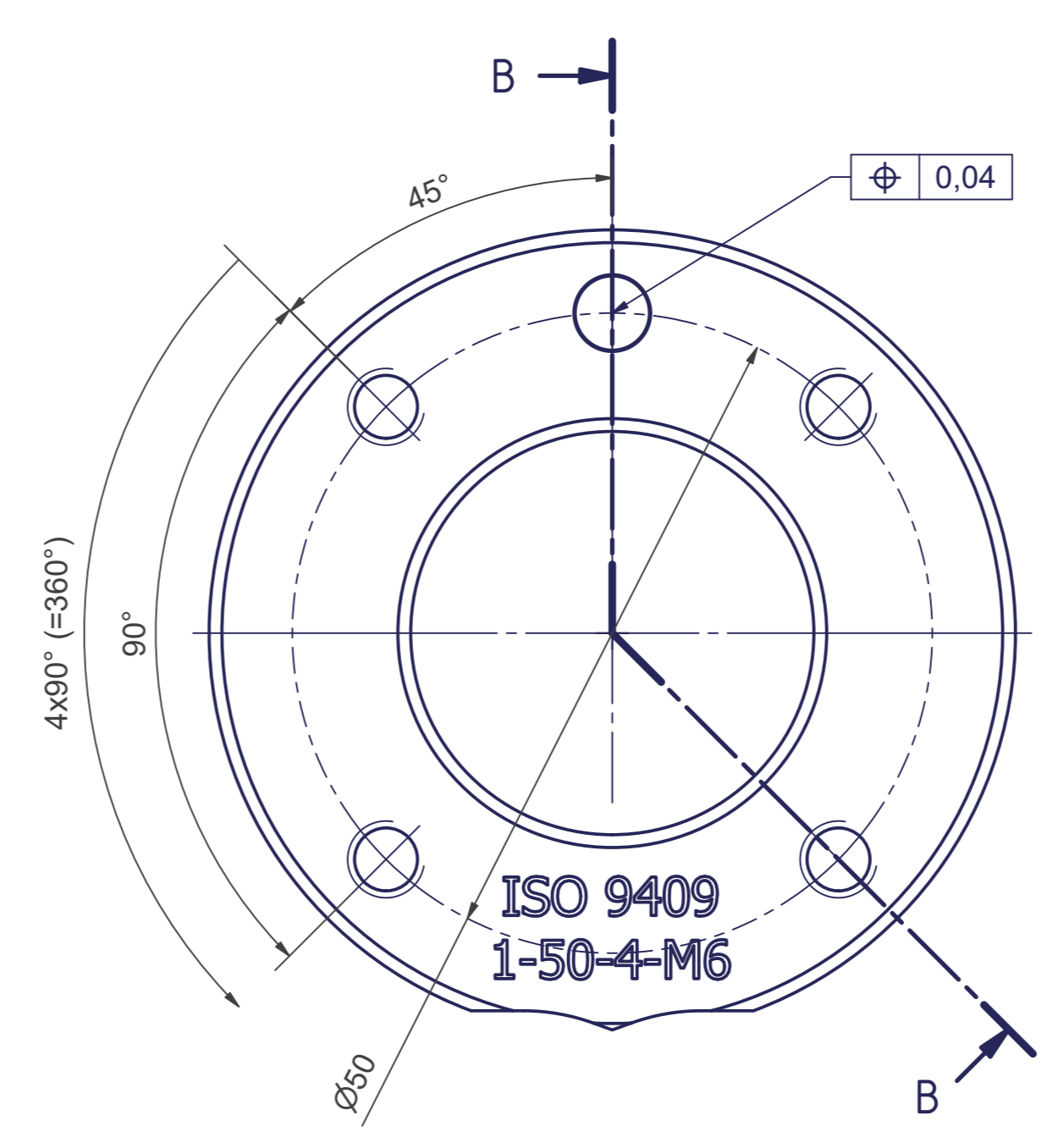
Max. center of load (20kg)  
 TCP (Tool Center Point)  
 Max. area center of load  
 More information can be found in the document "Load on tool flange"

Motion range of A5-axis rotation center  
 TCP (Tool Center Point)

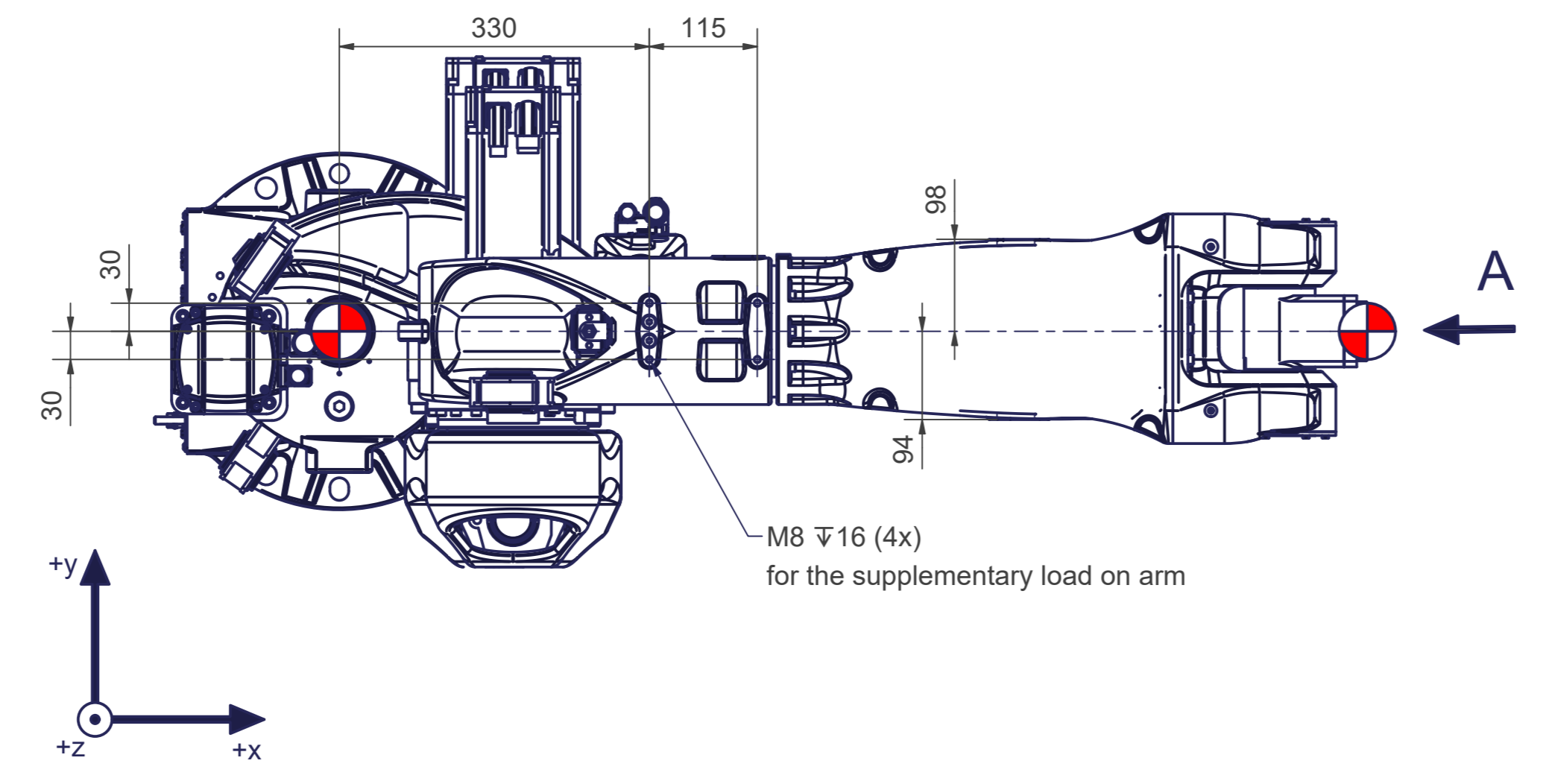
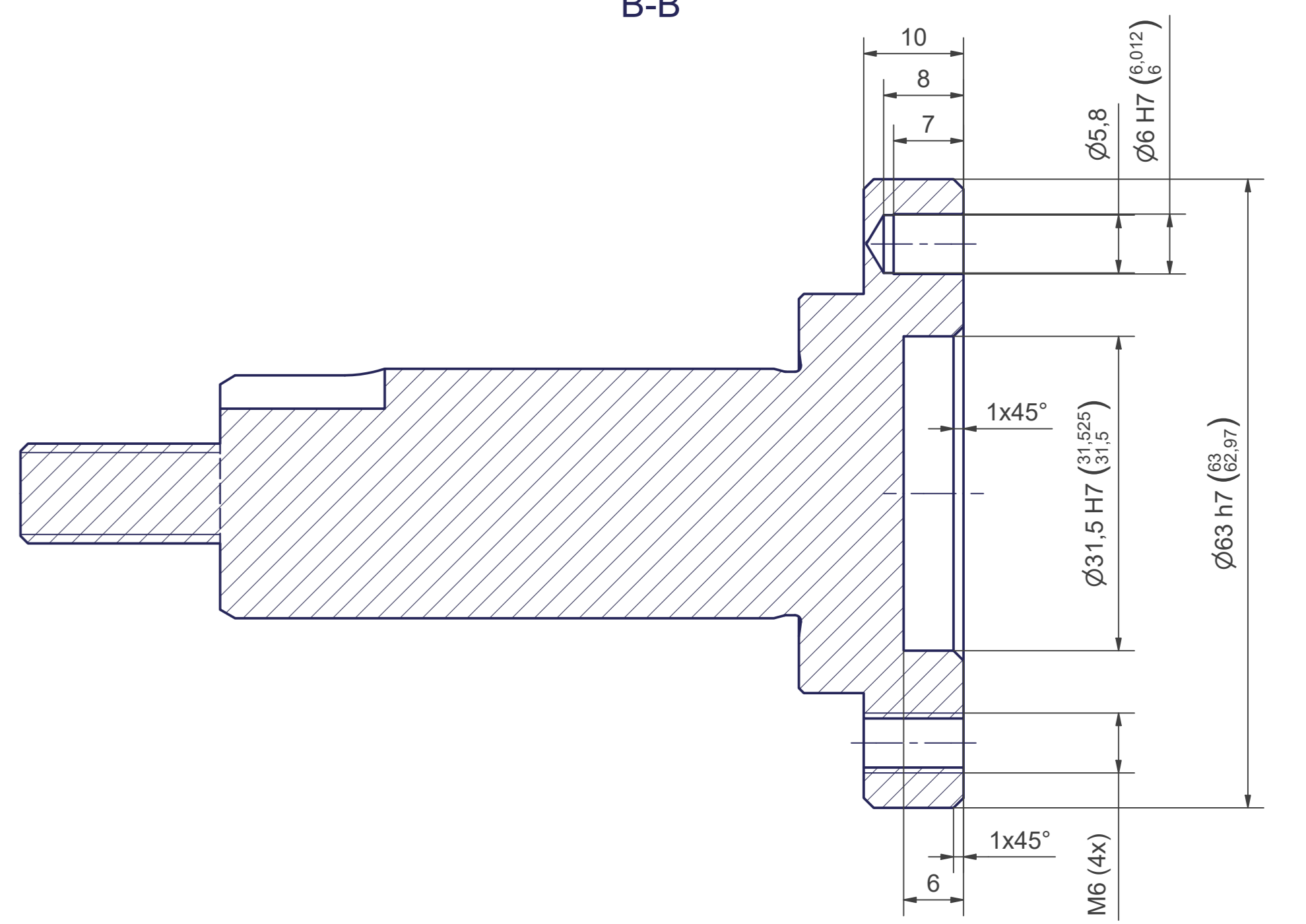


for screws M20 (DIN ISO 4014/4017-8.8) the tightening torque for these screws is 390 Nm (in steel frame)

A (2:1) Tool mounting flange



B-B



M8  $\nabla$ 16 (4x) for the supplementary load on arm

artic6-1803-20kg	
Axes	6
Payload (on TCP)	20 kg
Supplementary load on arm	10 kg
Reach	1803 mm
Mounting position	Angle, Ceiling, Floor, Wall

Motion	
Axes	Range fully usable
A1	$\pm 185^\circ$
A2	$-88^\circ / +169^\circ$ (*)
A3	$-142^\circ / +78^\circ$ (*) (*)
A4	$\pm 185^\circ$
A5	$-115^\circ / +125^\circ$
A6	Mechanical endless (*)

(\*) More information can be found in the document "calibration dimensions"  
 (\*) If axis 2 is between  $-88^\circ$  and  $-68^\circ$ , axis 3 must be limited on  $A3 = 146^\circ$  \* angle axis 2  
 (\*) Control system dependent

Connecting dimensions, valid for article number: AT\_00014

