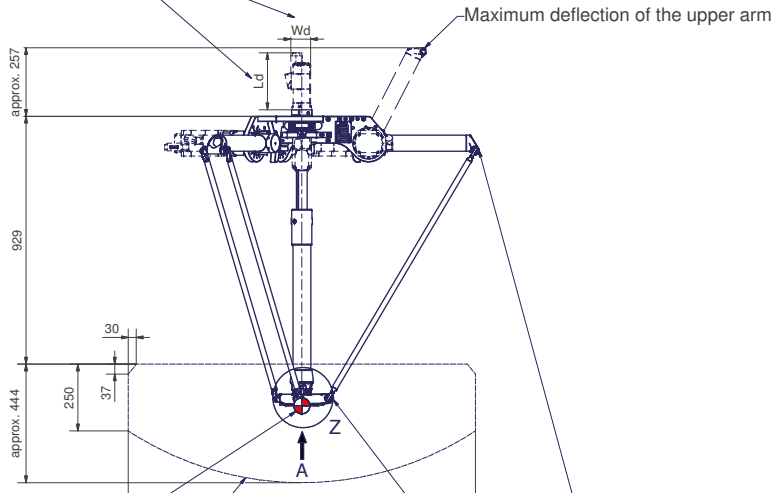


Depending on the drive type

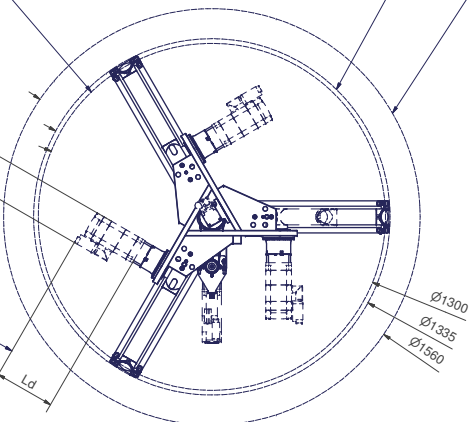


Tool Center Point
TCP (on the plane of the flange)

TCP - working range

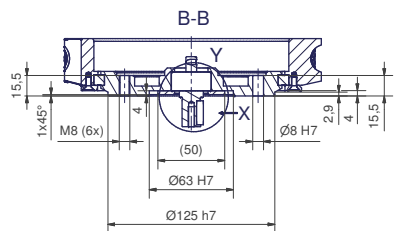
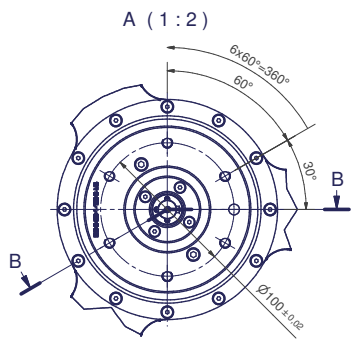
Interference contour from machine body

Maximum interference contour

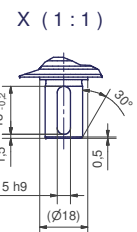
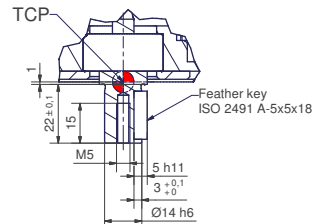


Depending on the drive type

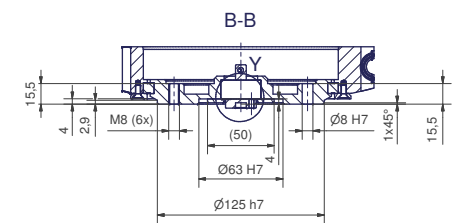
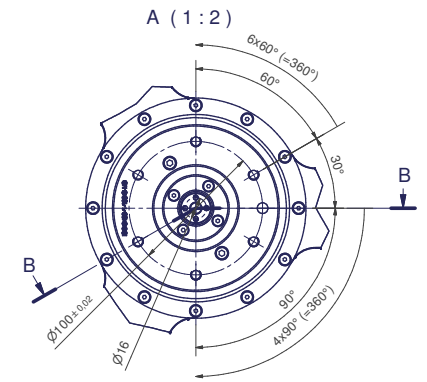
View "A" (A_00053-TS1)
With Tool shaft "TS"



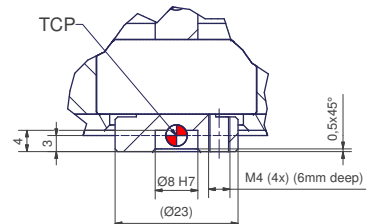
Y (1:1)



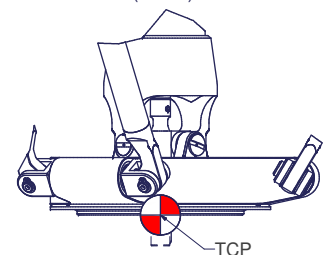
View "A" (A_00053-T1)
With Tool flange "T"



Y (2:1)



Z (1:2)



kg		⚡		⦿	
m=	kg	A	⦿	bar	
proj. storage surface =	m ²	P=	kW	v=	l/min
		U=	V / Hz / Ph		
		I _{max} =	A		

