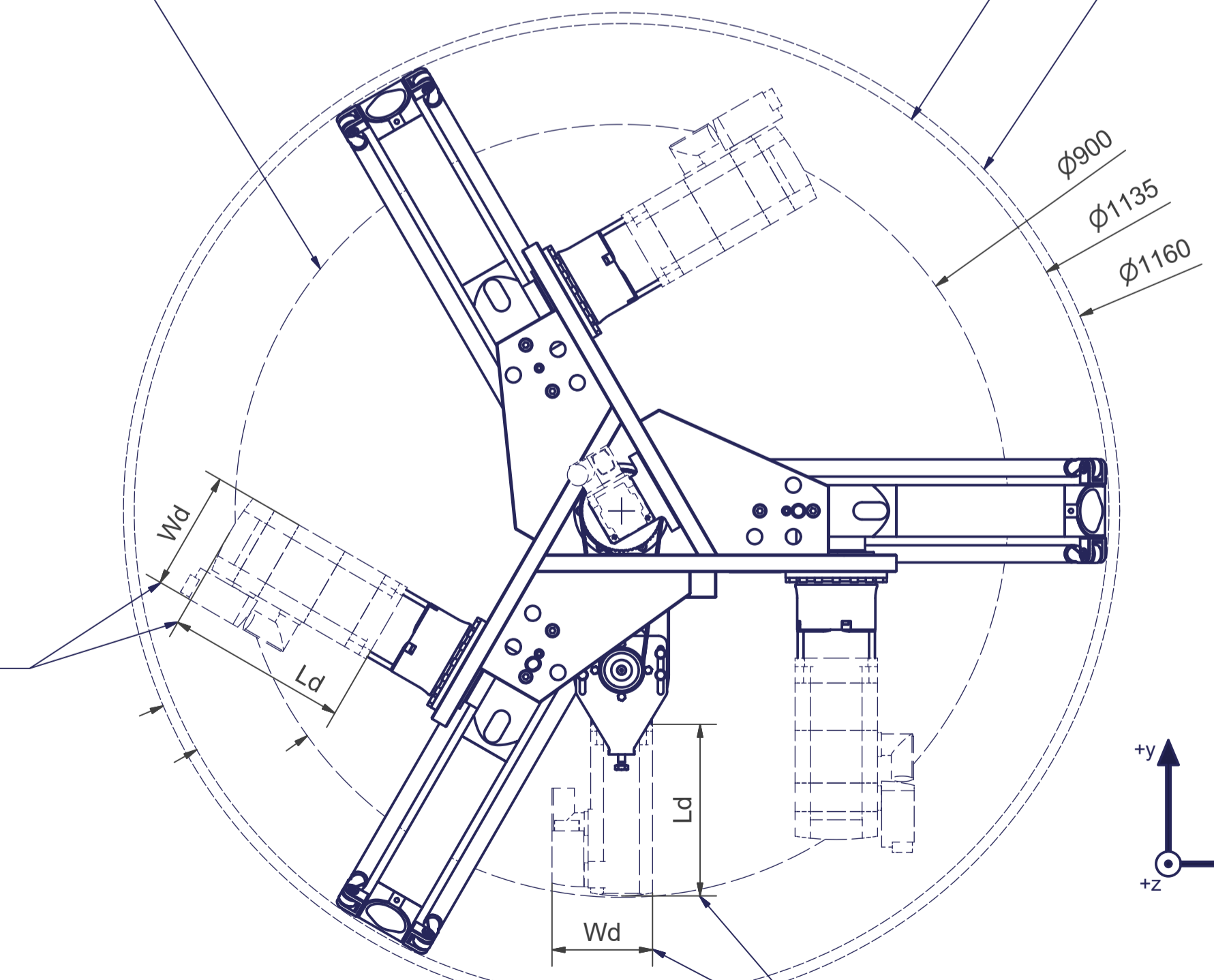


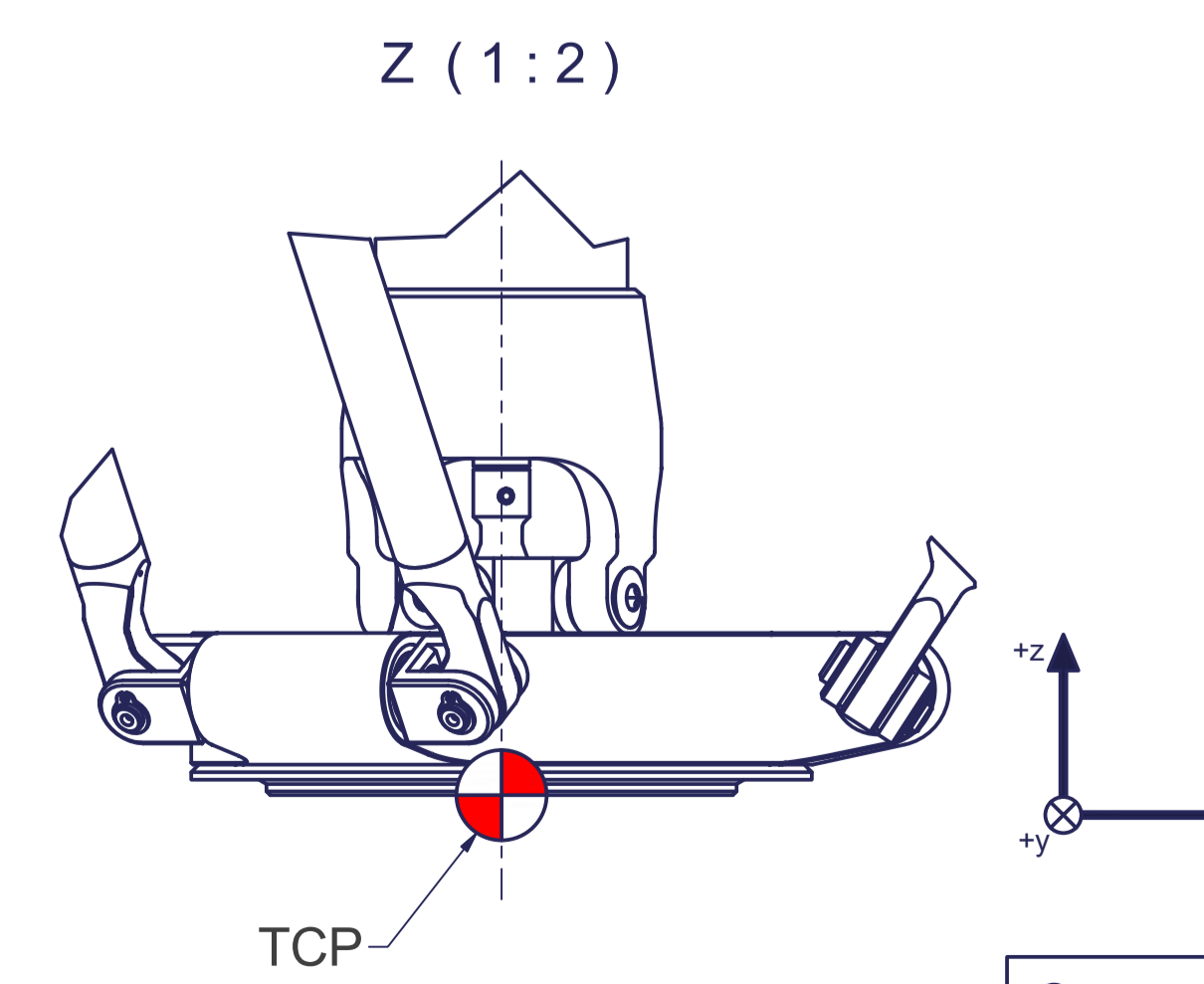
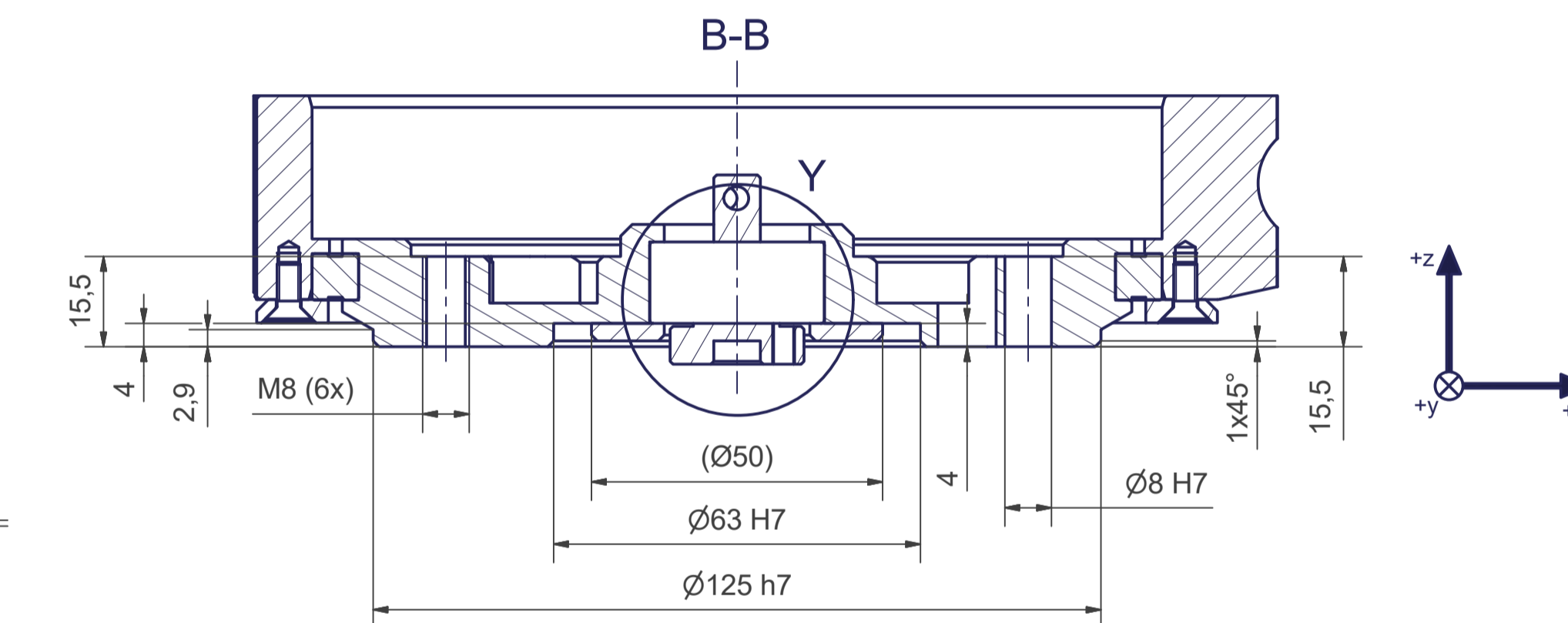
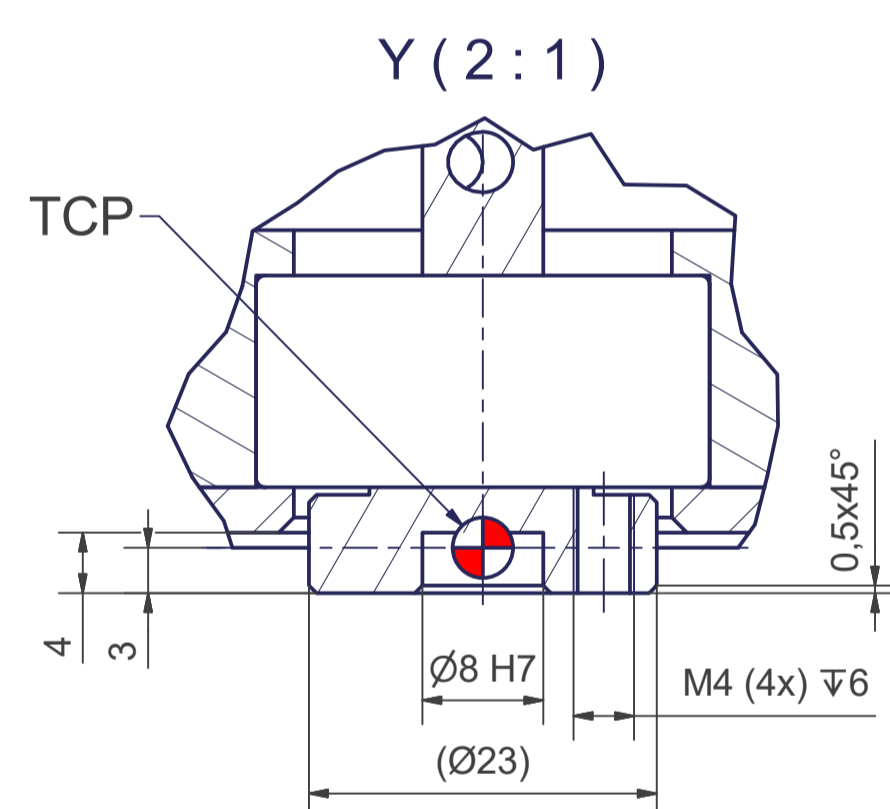
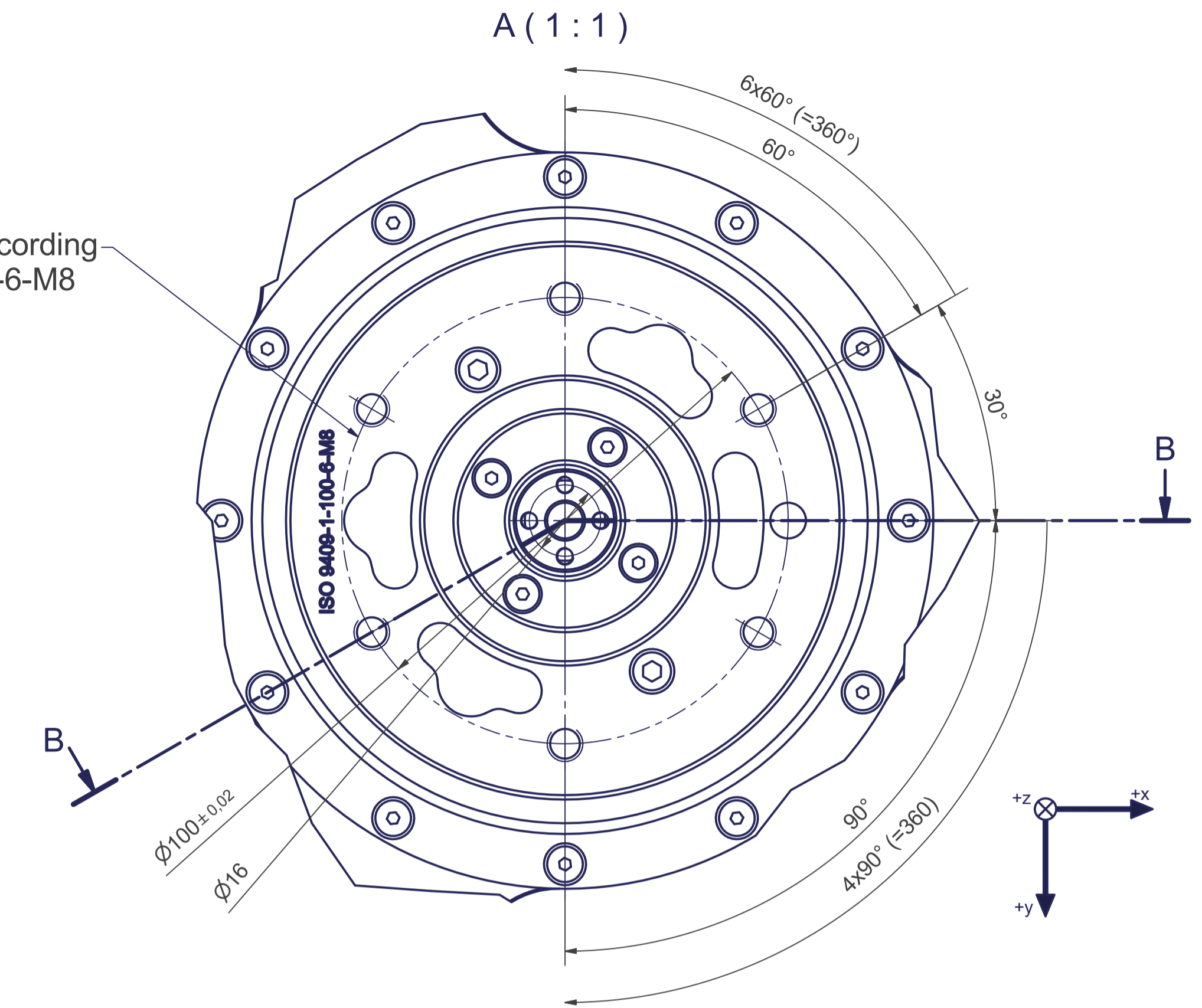
Tool Center Point
TCP (on the plane of the flange)

TCP - working range



Depending on the drive type




Flange diagram according to ISO 9409-1-100-6-M8



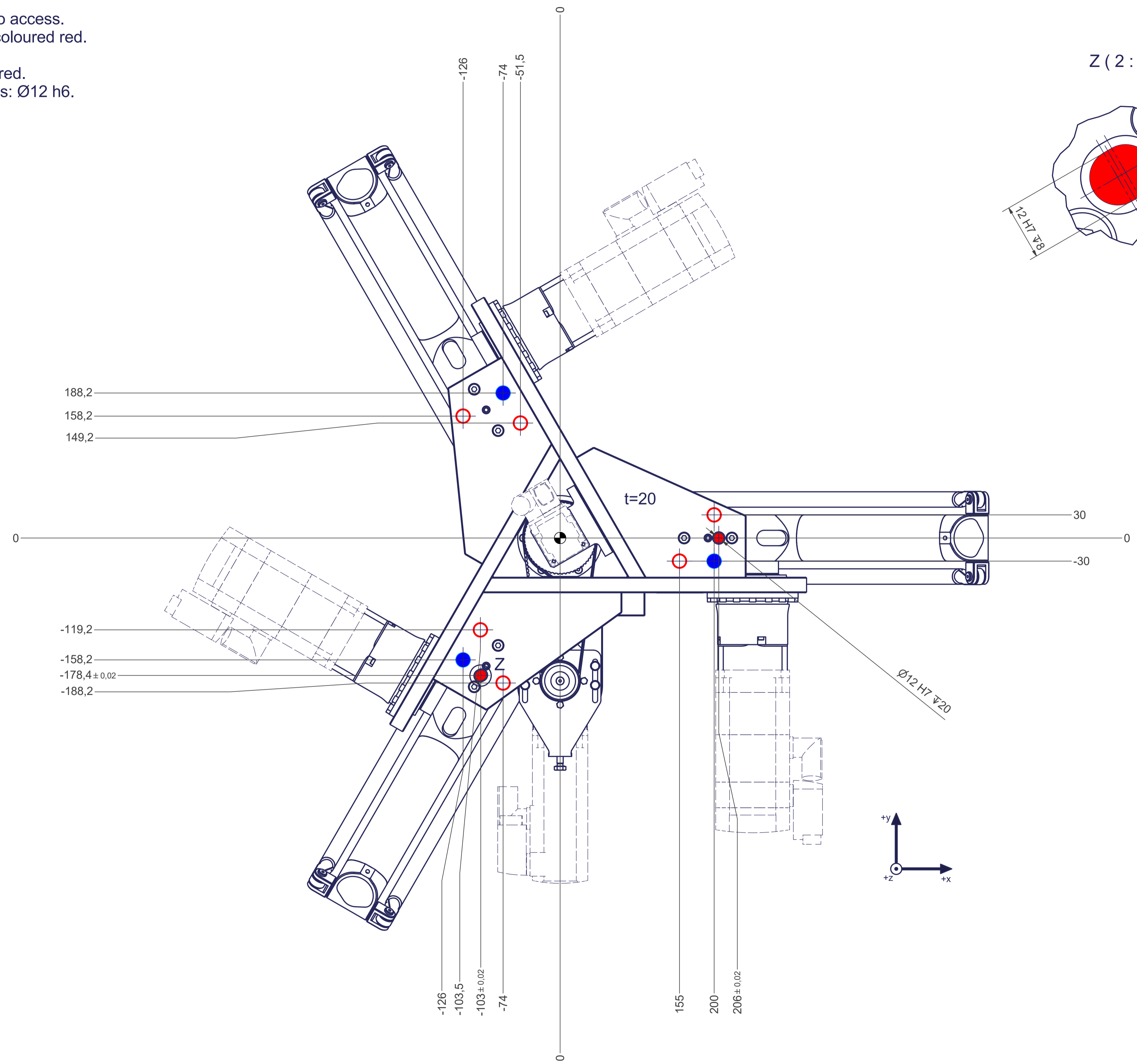
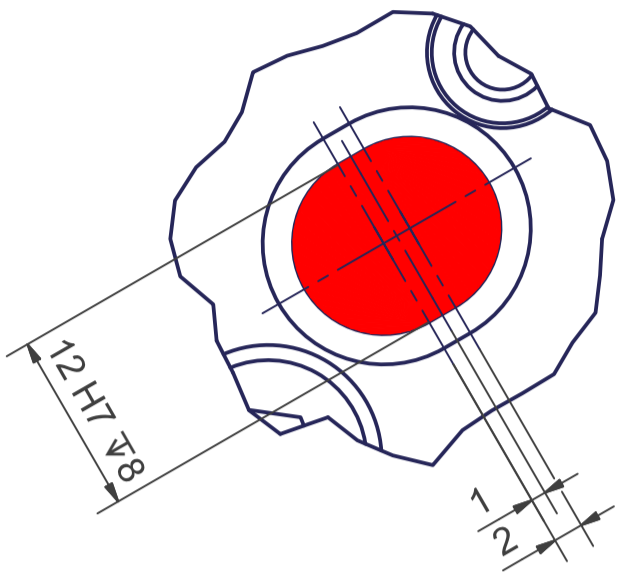
Connecting dimensions,
valid for article number A_00804-01-T1

m= kg	A	p= bar
proj. storage surface = m ²		v= l/min
First angle projection	P= kW	
	U= V / Hz / Ph	
	lmax= A	

12 11 10 9 8 7 6 5 4 3 2 1

-  All fastening holes $\text{\O}17,5$ mm for screws M16 (DIN ISO 4014/4017 -8.8) without washers. Fastening holes are coloured red.
-  Fastening holes filled blue are difficult to access. We recommend using fastening holes coloured red.
-  Drilling holes for locating pins are filled red. Recommend dimensions of locating pins: $\text{\O}12$ h6.

Z (2:1)



12 11 10 9 8 7 6 5 4 3 2 1