

Tool Center Point
TCP (on the plane of the flange)

TCP - working range

Depending on the drive type

Flange diagram according to ISO 9409-1-40-4-M6

Interference contour from machine body

Maximum interference contour

Z (1:1)

TCP

Connecting dimensions, valid for article number A_00072-02

m= kg	A	p= bar
proj. storage surface = m²		v= l/min
First angle projection		kW
		V / Hz / Ph
		A

12

11

10

9

8

7

6

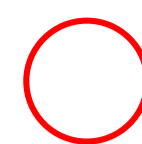
5

4

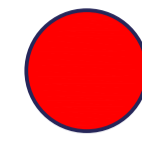
3

2

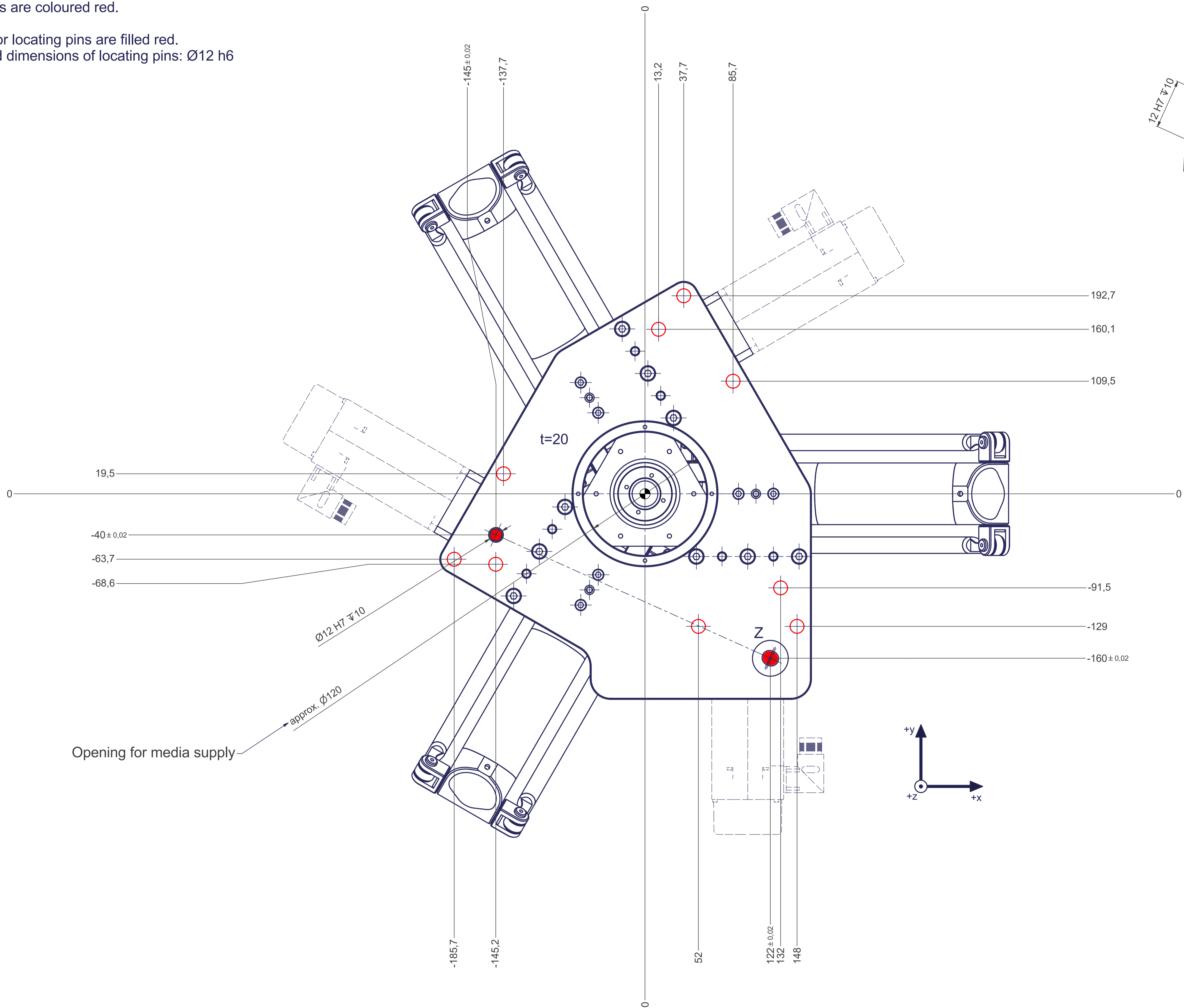
1



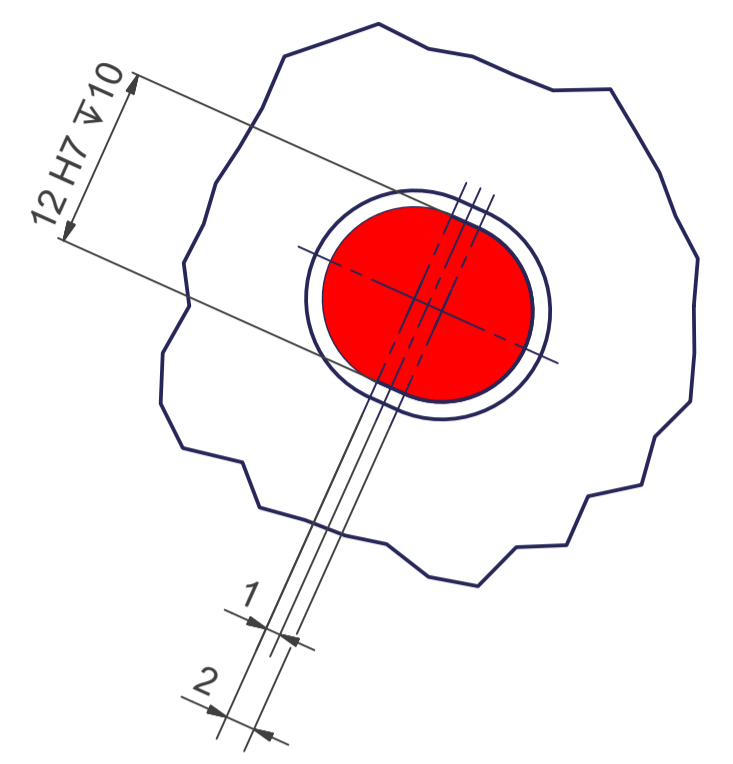
All fastening holes $\varnothing 13,5$ mm for screws M12 (DIN ISO 4014/4017 -8.8) without washers. Fastening holes are coloured red.



Drilling holes for locating pins are filled red. Recommended dimensions of locating pins: $\varnothing 12$ h6



Z (2:1)



12

11

10

9

8

7

6

5

4

3

2

1