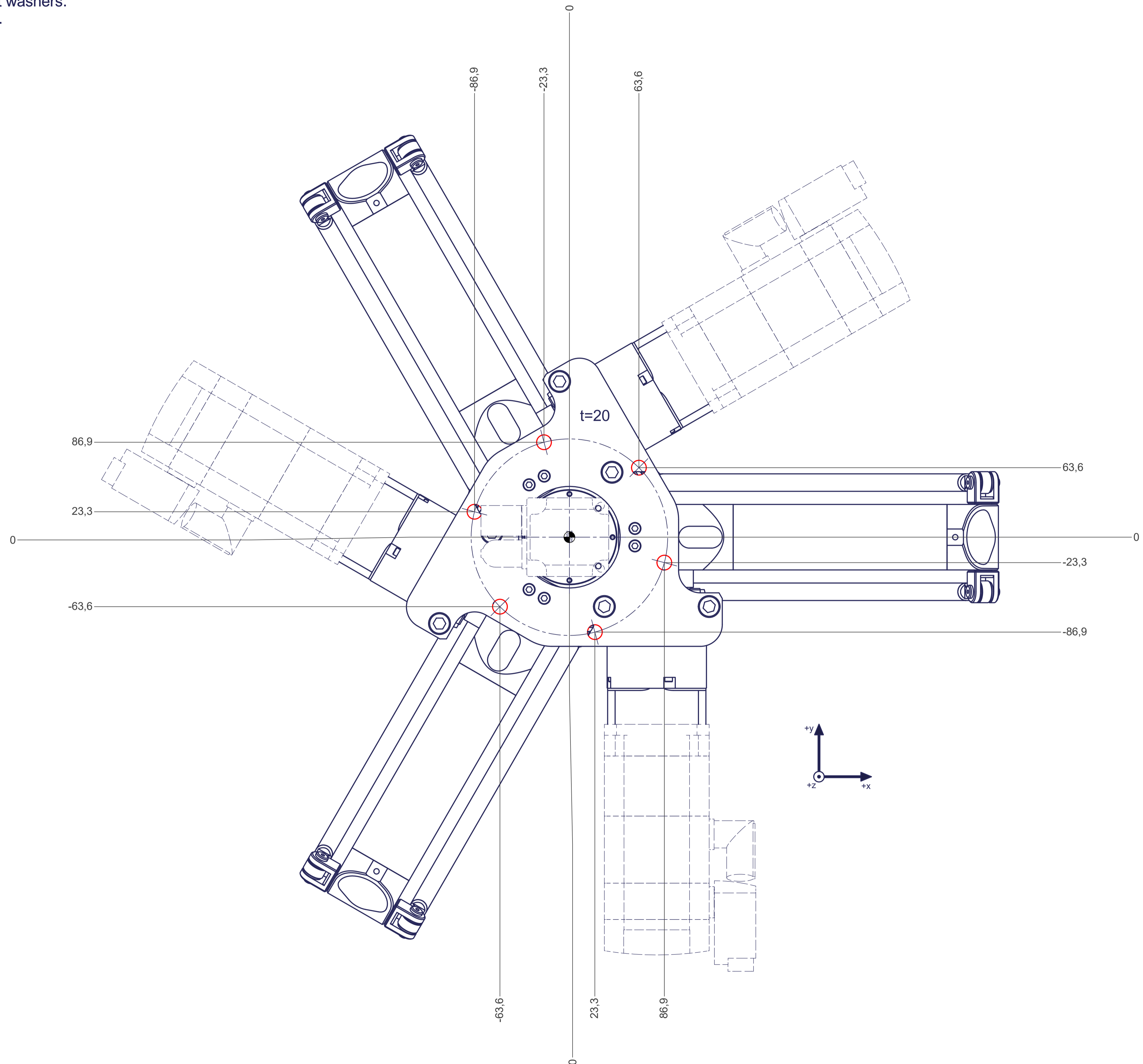


12 11 10 9 8 7 6 5 4 3 2 1

○ All fastening holes $\varnothing 13,5$ mm for screws M12 (DIN ISO 4014/4017 -8.8) without washers. Fastening holes are coloured red.



12 11 10 9 8 7 6 5 4 3 2 1