

Connecting dimensions,  
valid for article number A\_00921

m= kg	A	bar
proj. storage surface = m <sup>2</sup>	P= kW	l/min
	U= V / Hz / Ph	
	I <sub>max</sub> = A	



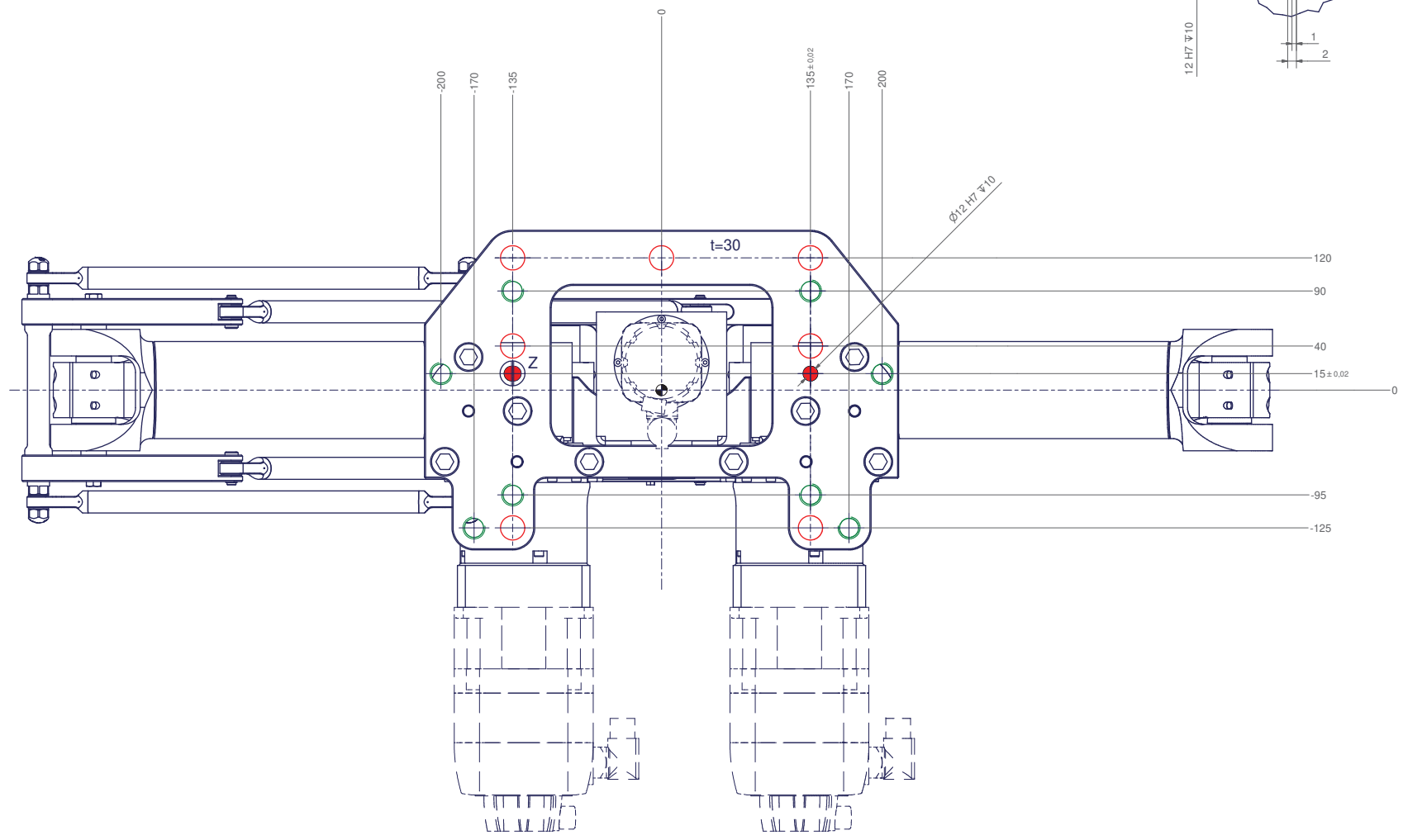
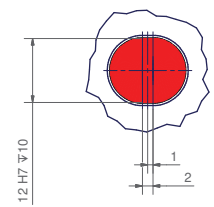
12 11 10 9 8 7 6 5 4 3 2 1

○ All fastening holes ø22 for screws M20 (DIN ISO 4014/4017 -8.8) without washer.  
Fastening holes are coloured red.  
The tightening torque for these screws (strength class 8.8) is 360 Nm (in a steel frame).

● Drilling holes for locating pins are filled red.  
Recommended dimensions of locating pins:  $\varnothing 12$  h6

○ Thread holes for screws M20 are coloured green.  
The tightening torque for these screws (strength class 8.8) is 170 Nm.

Z (2:1)



12 11 10 9 8 7 6 5 4 3 2 1