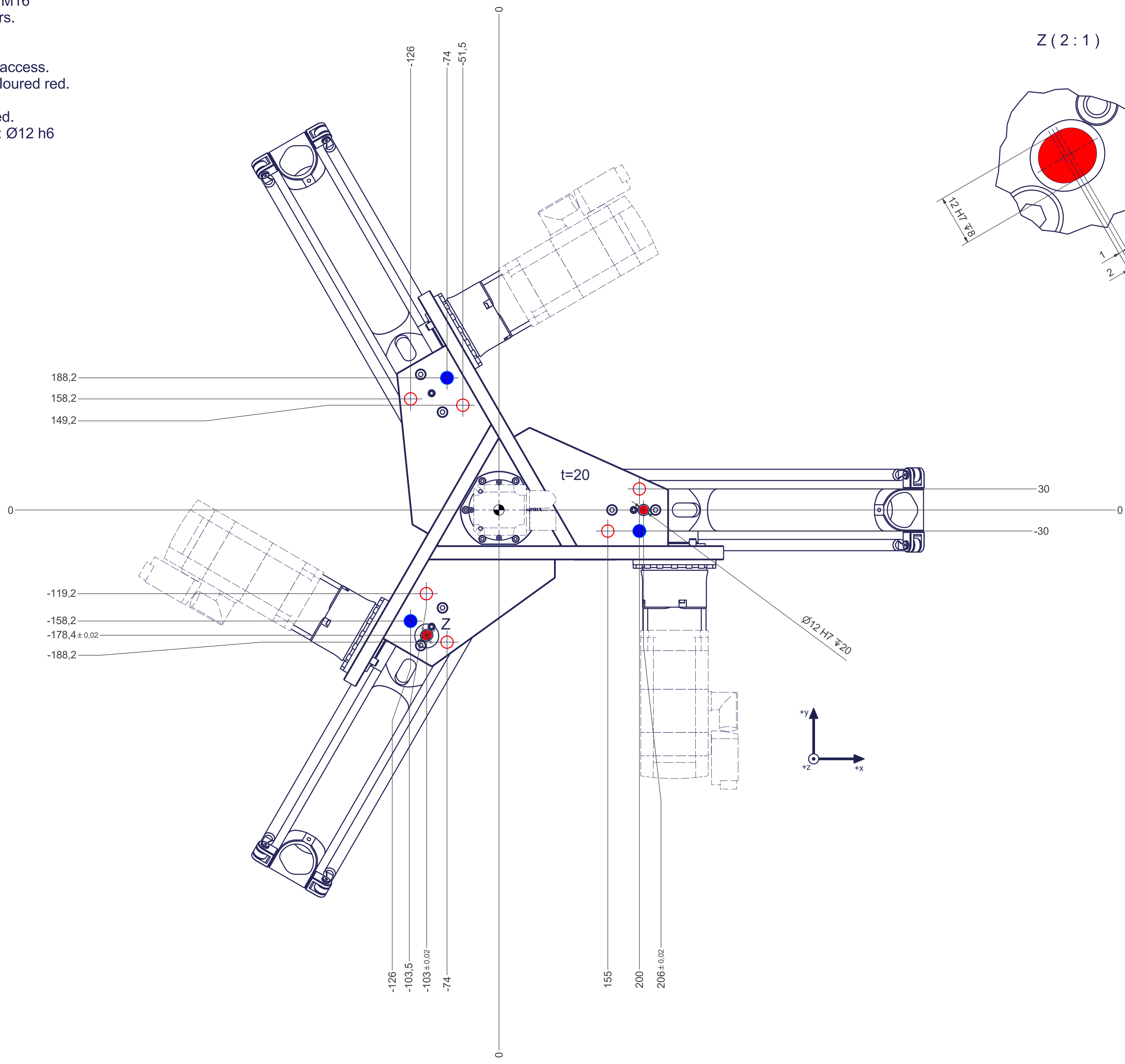
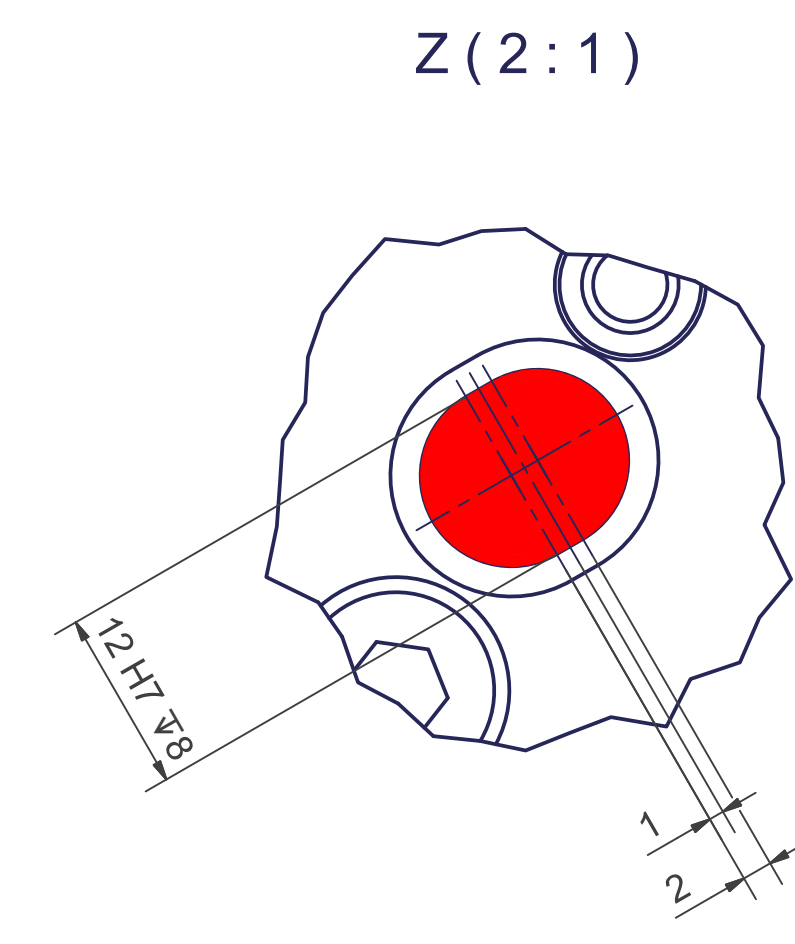


Connecting dimensions,  
valid for article number A\_00036-02

|  |                      |                   |
|--|----------------------|-------------------|
|  |                      |                   |
| m= kg                                  | A                    | $\phi$ = bar      |
| proj. storage surface = m <sup>2</sup> |                      | $\dot{V}$ = l/min |
| First angle projection                 | P= kW                |                   |
|  | U= V / Hz / Ph       |                   |
|  | I <sub>max</sub> = A |                   |

12 11 10 9 8 7 6 5 4 3 2 1

- All fastening holes  $\varnothing 17,5$  mm for screws M16 (DIN ISO 4014/4017 -8.8) without washers. Fastening holes are coloured red.
- Fastening holes filled blue are difficult to access. We recommend using fastening holes coloured red.
- Drilling holes for locating pins are filled red. Recommend dimensions of locating pins:  $\varnothing 12$  h6



12 11 10 9 8 7 6 5 4 3 2 1