

Rev_01



Connecting dimensions, valid for article number A_00847

m= kg	A	p= bar
proj. Stellfläche= m ²	P= kW	v̇= l/min
	U= V / Hz / Ph	
	I _{max} = A	

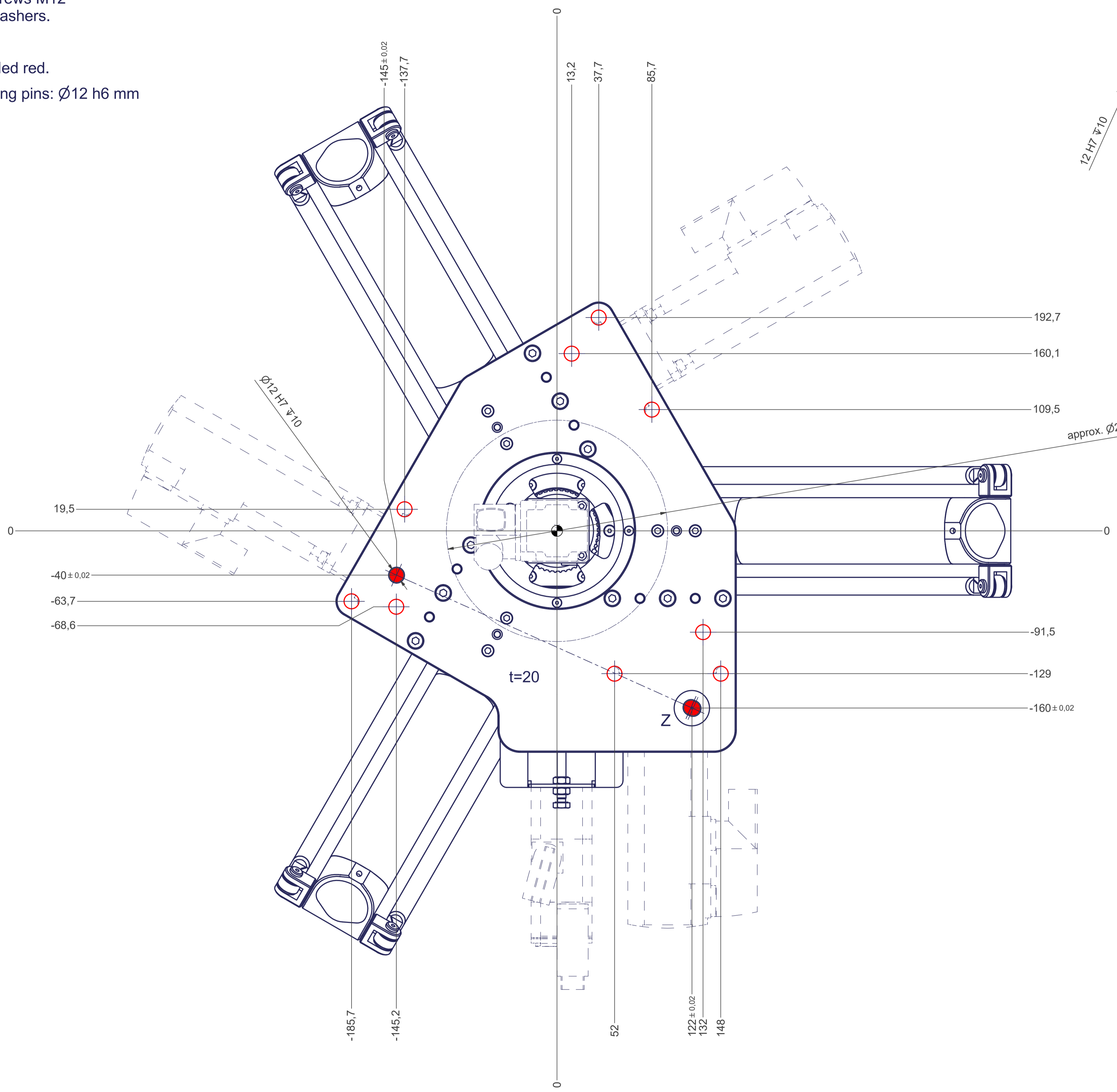
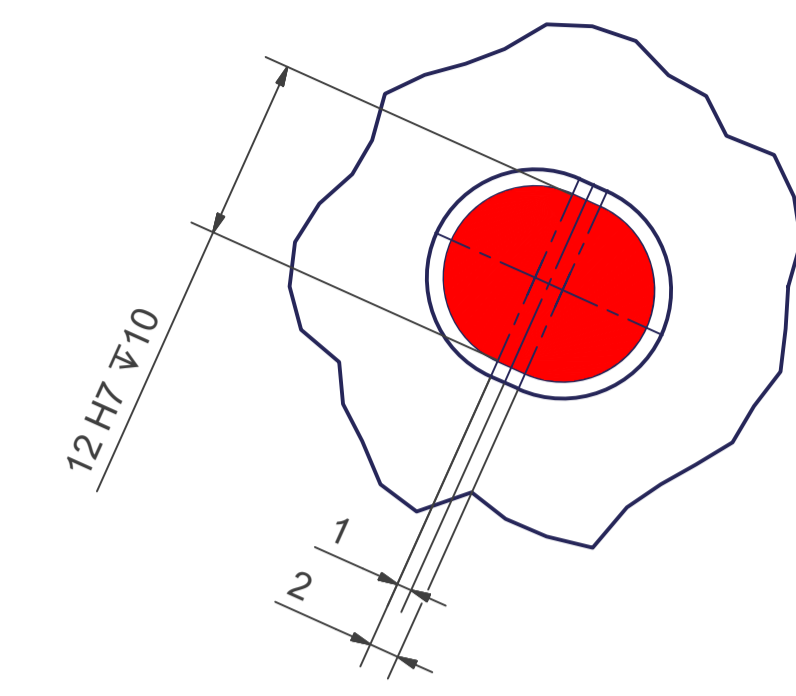


A_00847

12 11 10 9 8 7 6 5 4 3 2 1

-  All fastening holes $\varnothing 13,5$ mm for screws M12 (DIN ISO 4014/4017 -8.8) without washers. Fastening holes are coloured red.
-  Drilling holes for locating pins are filled red. Recommended dimensions of locating pins: $\varnothing 12$ h6 mm

Z (2:1)



Hole in the frame for the 5th axis engine (depending on used motor type)

approx. $\varnothing 200$

12 11 10 9 8 7 6 5 4 3 2 1