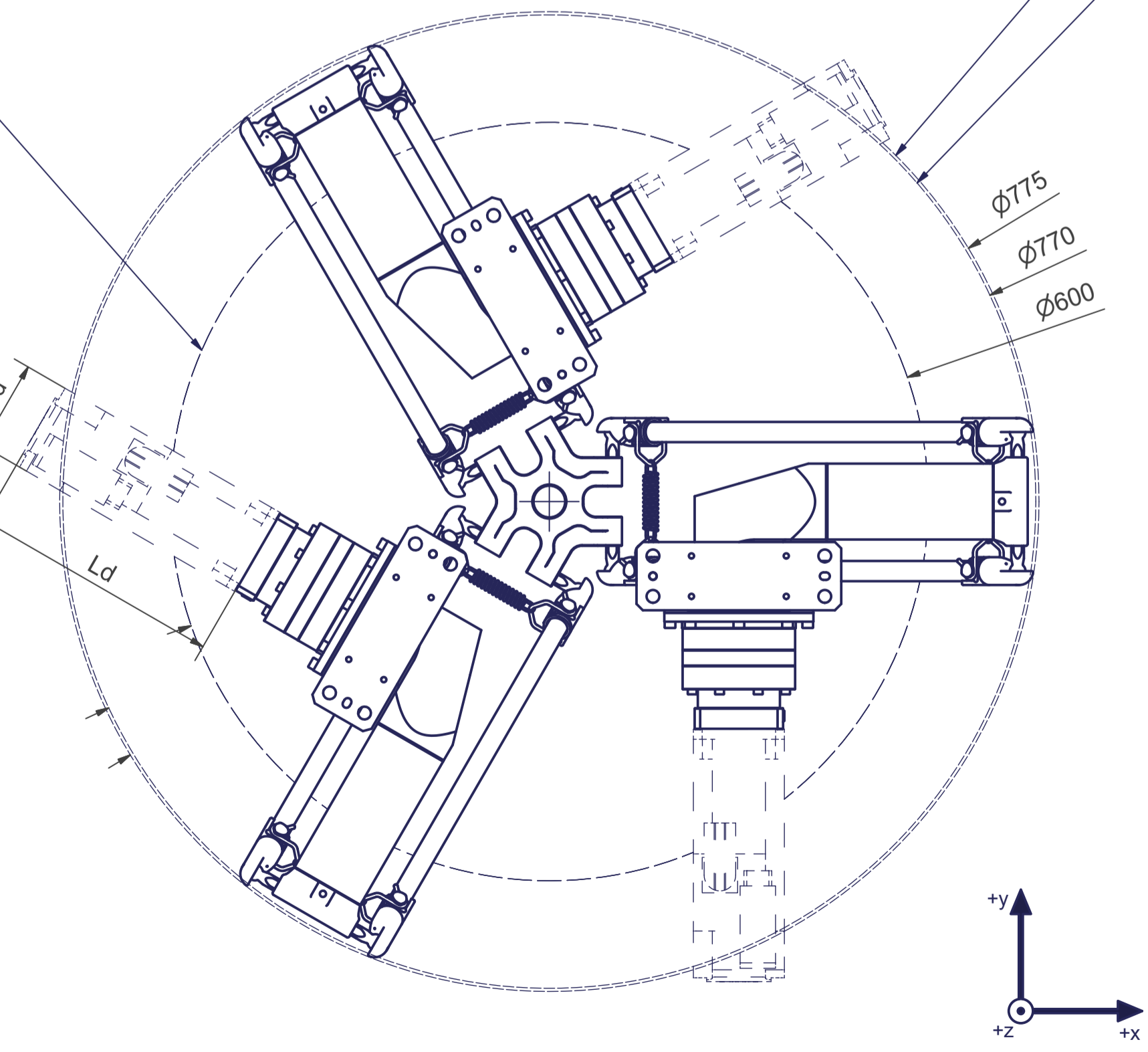


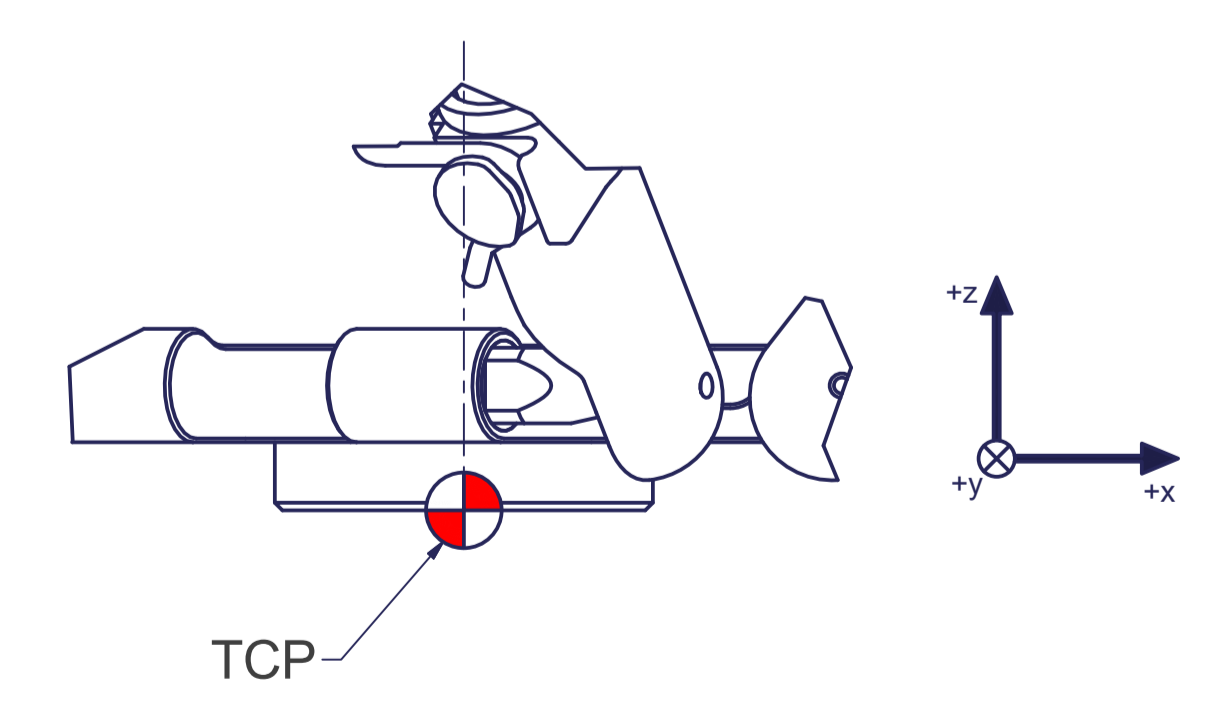
Tool Center Point
TCP (on the plane of the flange)

TCP - working range

Depending on
the drive type



Z (1:1)



m= kg	A	p= bar
proj. storage surface = m²		v̇= l/min
First angle projection		P= kW
		U= V / Hz / Ph
		I _{max} = A
		autonox lean line

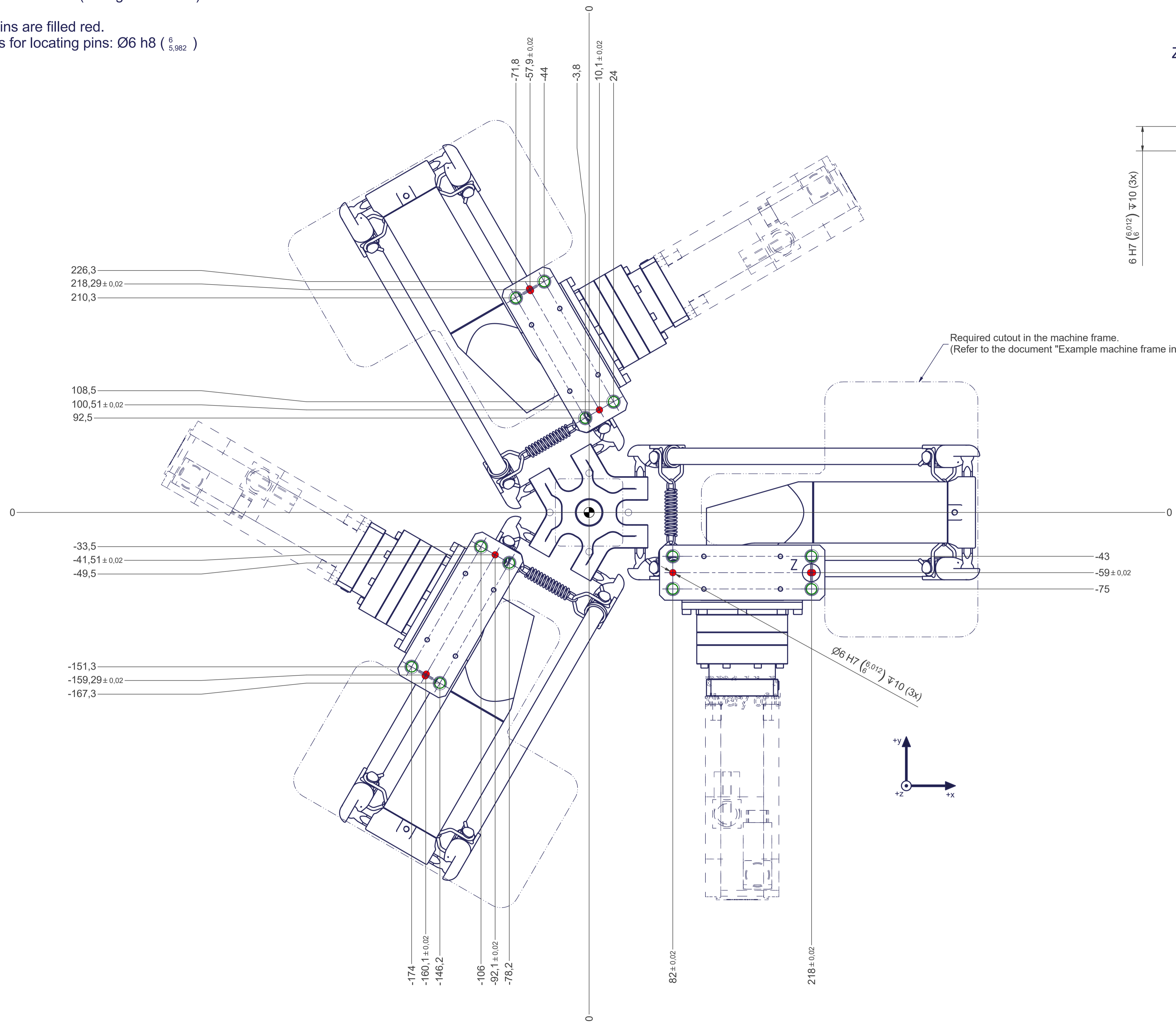
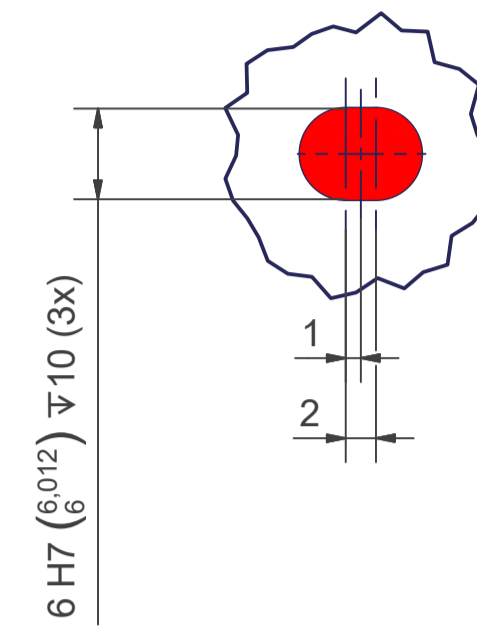
Connecting dimensions,
valid for article number AL_10001

12 11 10 9 8 7 6 5 4 3 2 1

Thread holes for screws M12 are coloured green.
The tightening torque for these screws (strength class 8.8) is 41 Nm.

Drilling holes for location pins are filled red.
Recommended dimensions for locating pins: $\varnothing 6 \text{ h}8 \left(\begin{smallmatrix} 6 \\ 5,982 \end{smallmatrix} \right)$

Z (2:1)



12 11 10 9 8 7 6 5 4 3 2 1