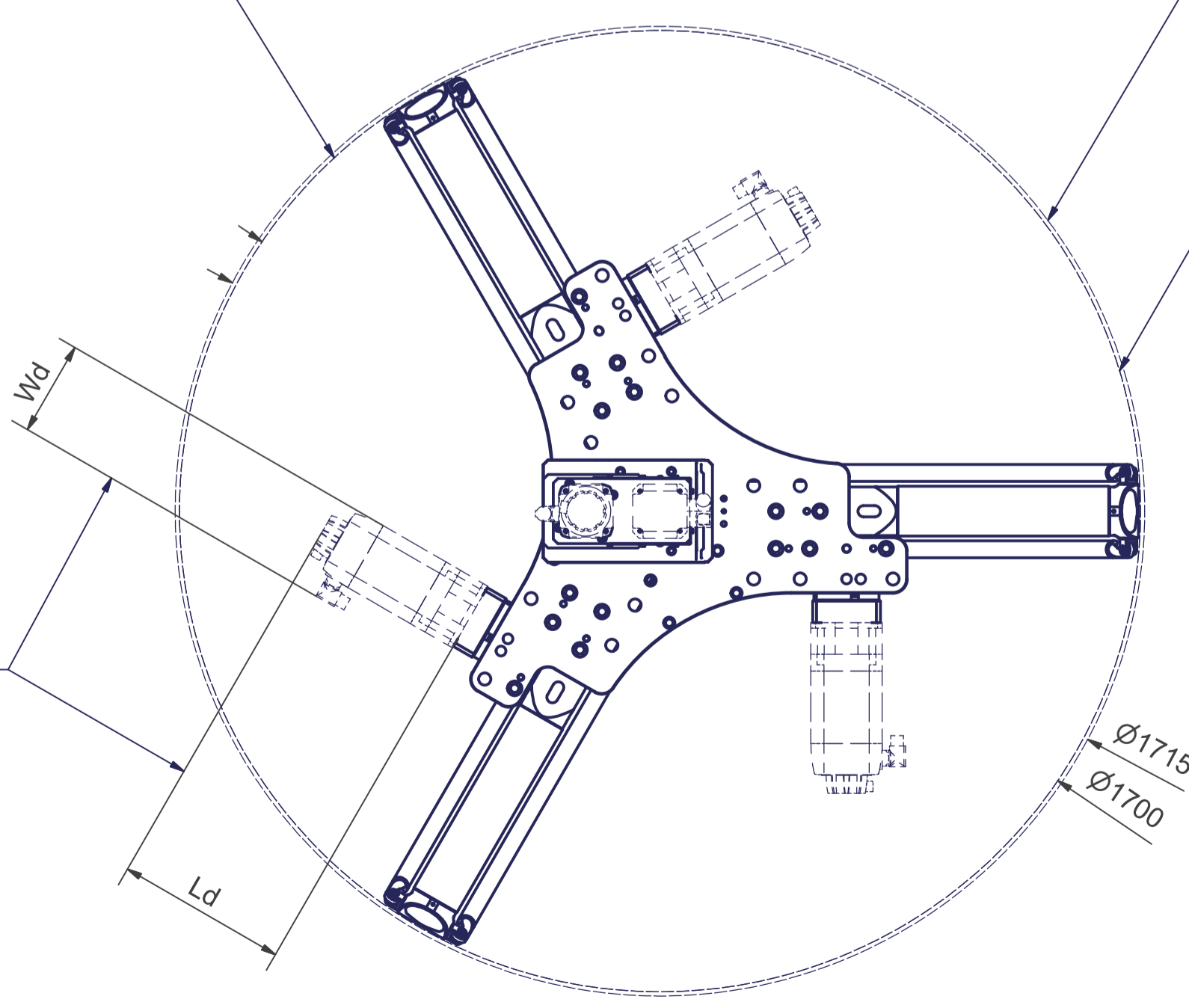
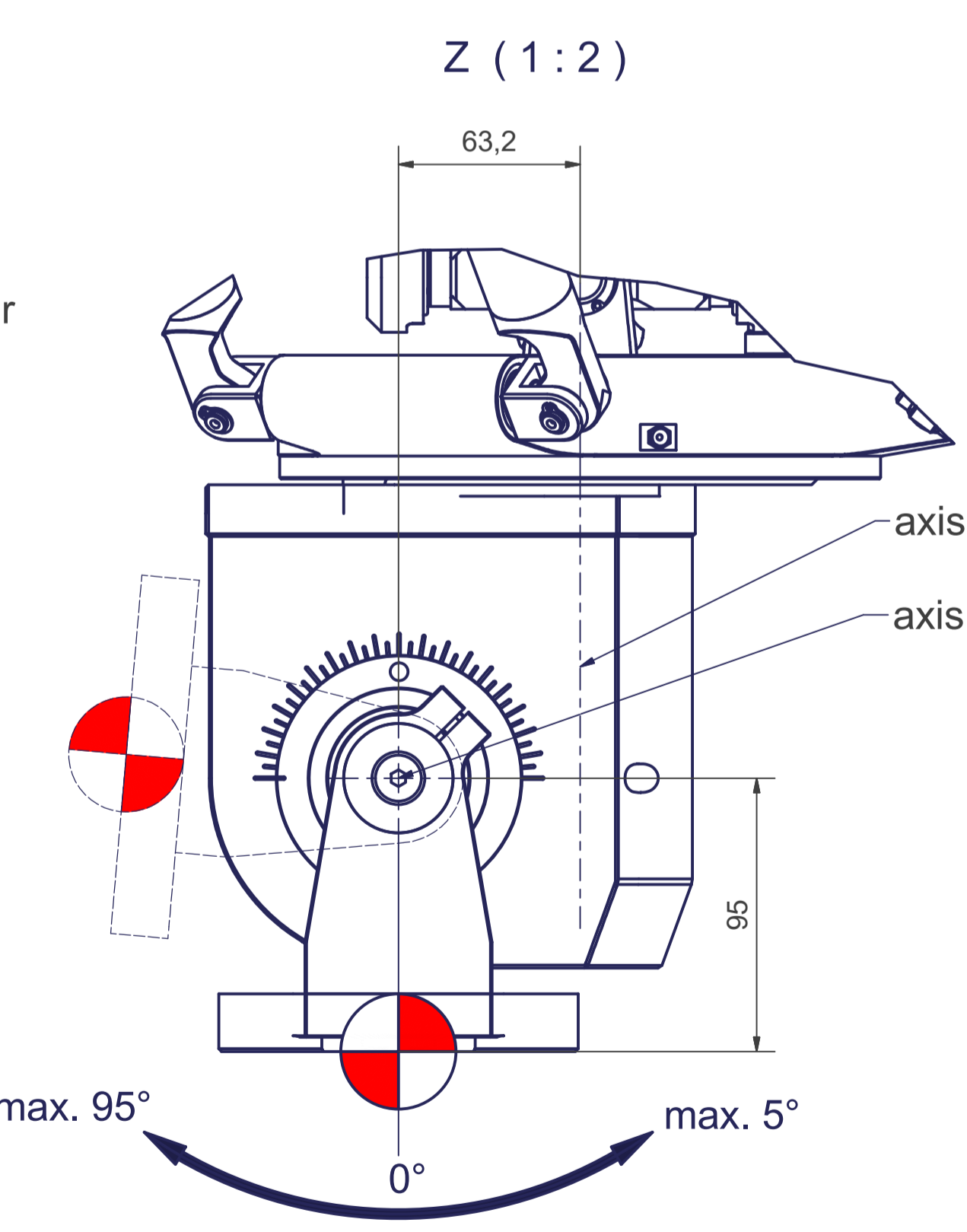


Tool Center Point  
TCP (on the plane of the flange)

TCP - working range




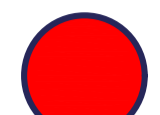

Maximum interference contour

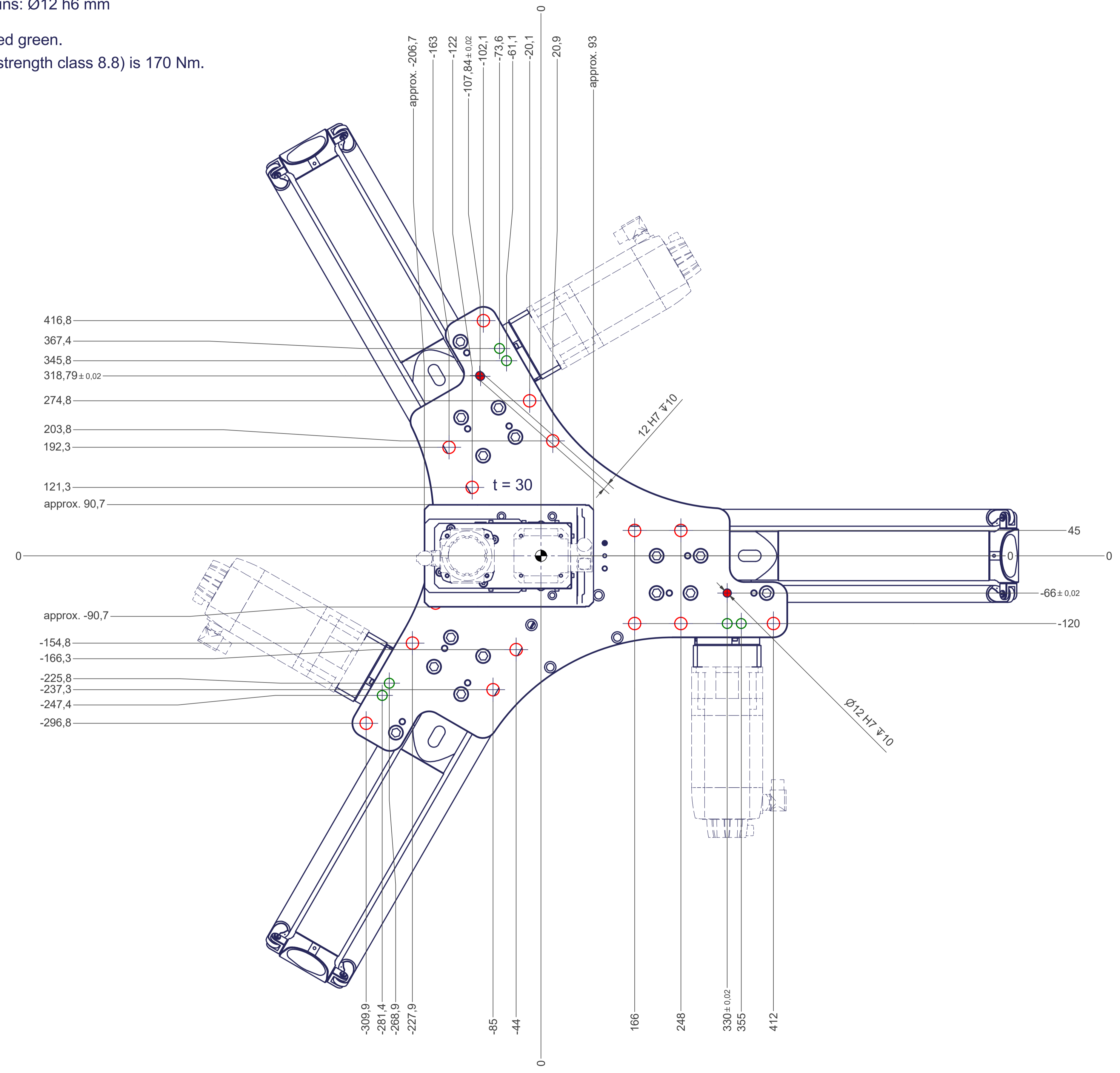


m= kg	A	p= bar
projected storage surface = m <sup>2</sup>	P= kW	v̇= l/min
U=	V / Hz / Ph	
I <sub>max</sub> =	A	A_00817

Connecting dimensions,  
valid for article number A\_00817

12 11 10 9 8 7 6 5 4 3 2 1

-  All fastening holes  $\varnothing 22\text{mm}$  for screws M20 (DIN ISO 4014/4017 -8.8) without washer.  
Fastening holes are coloured red.  
The tightening torque for these screws (strength class 8.8) is 360 Nm. (in a steel frame)
-  Drilling holes for locating pins are filled red.  
Recommended dimensions of locating pins:  $\varnothing 12\text{ h6 mm}$
-  Thread holes for screws M20 are coloured green.  
The tightening torque for these screws (strength class 8.8) is 170 Nm.



12 11 10 9 8 7 6 5 4 3 2 1