

6 5 4 3 2 1

D

D

C

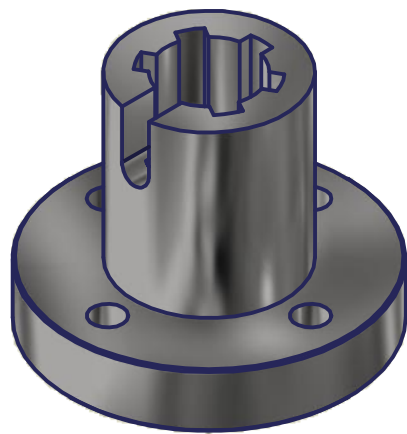
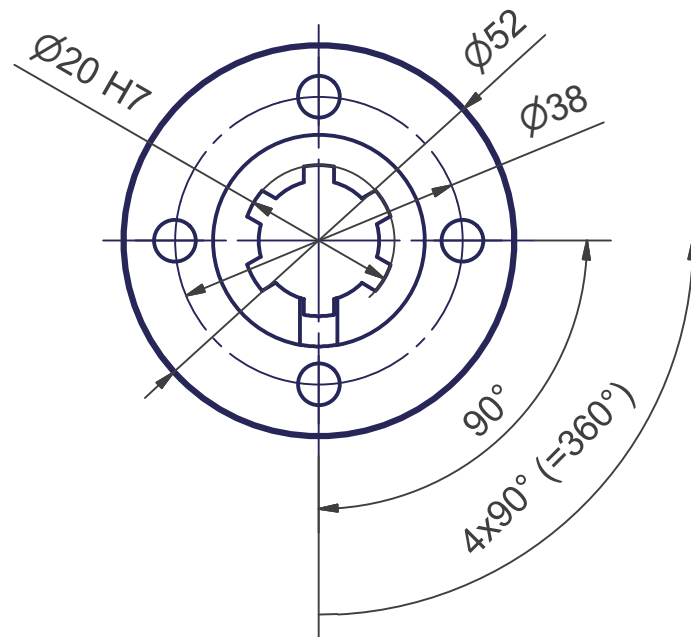
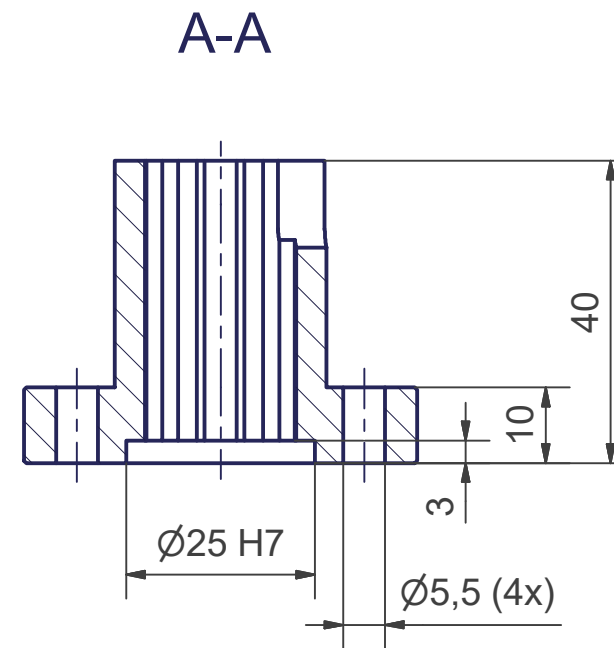
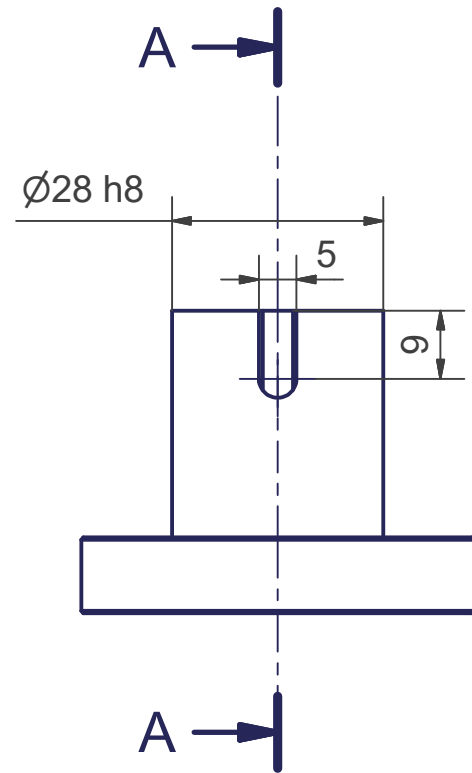
C

B

B

A

A



Clutch according to DIN ISO 14 KN16X20

m= kg		
proj. storage surface = m ²		p= bar
First angle projection		\dot{V} = l/min
		P= kW
		U= V / Hz / Ph
	I _{max} = A	

Rev_01

Valid for article number MT_WST00058371

MT_WST00058371

6 5 4 3 2 1