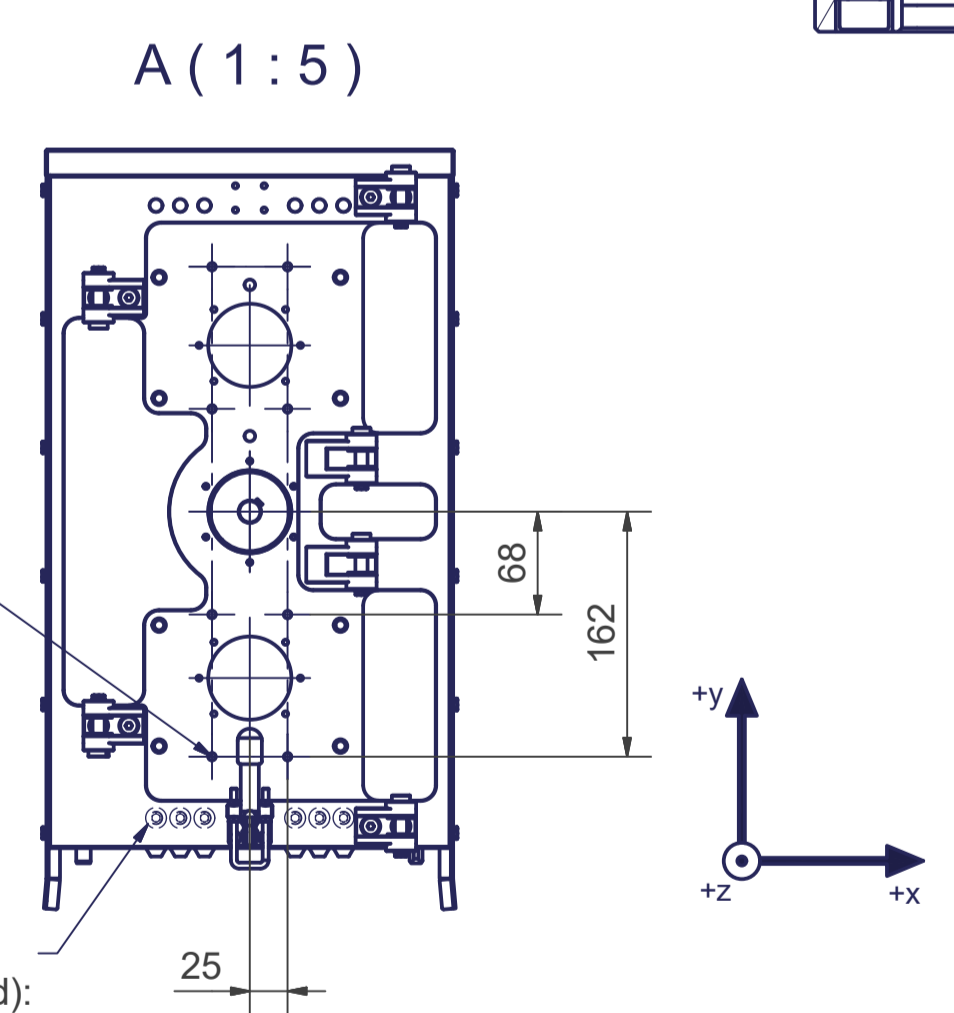
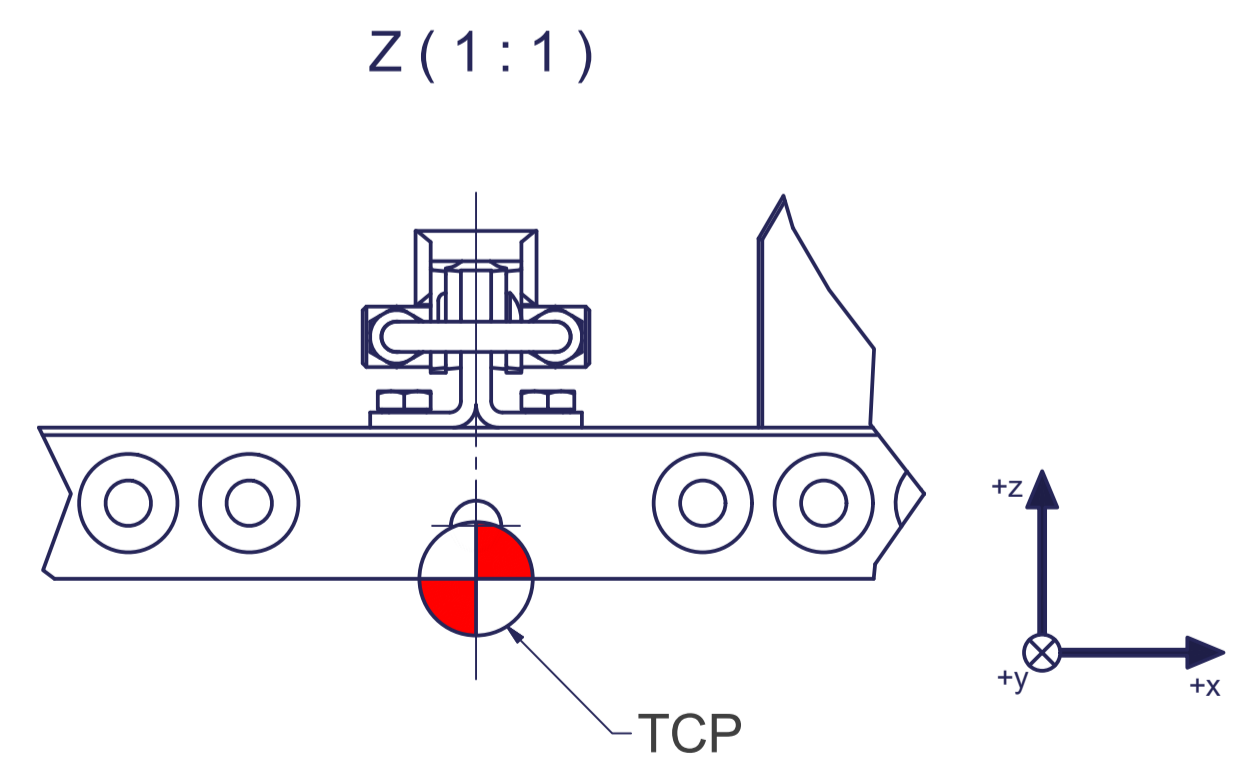
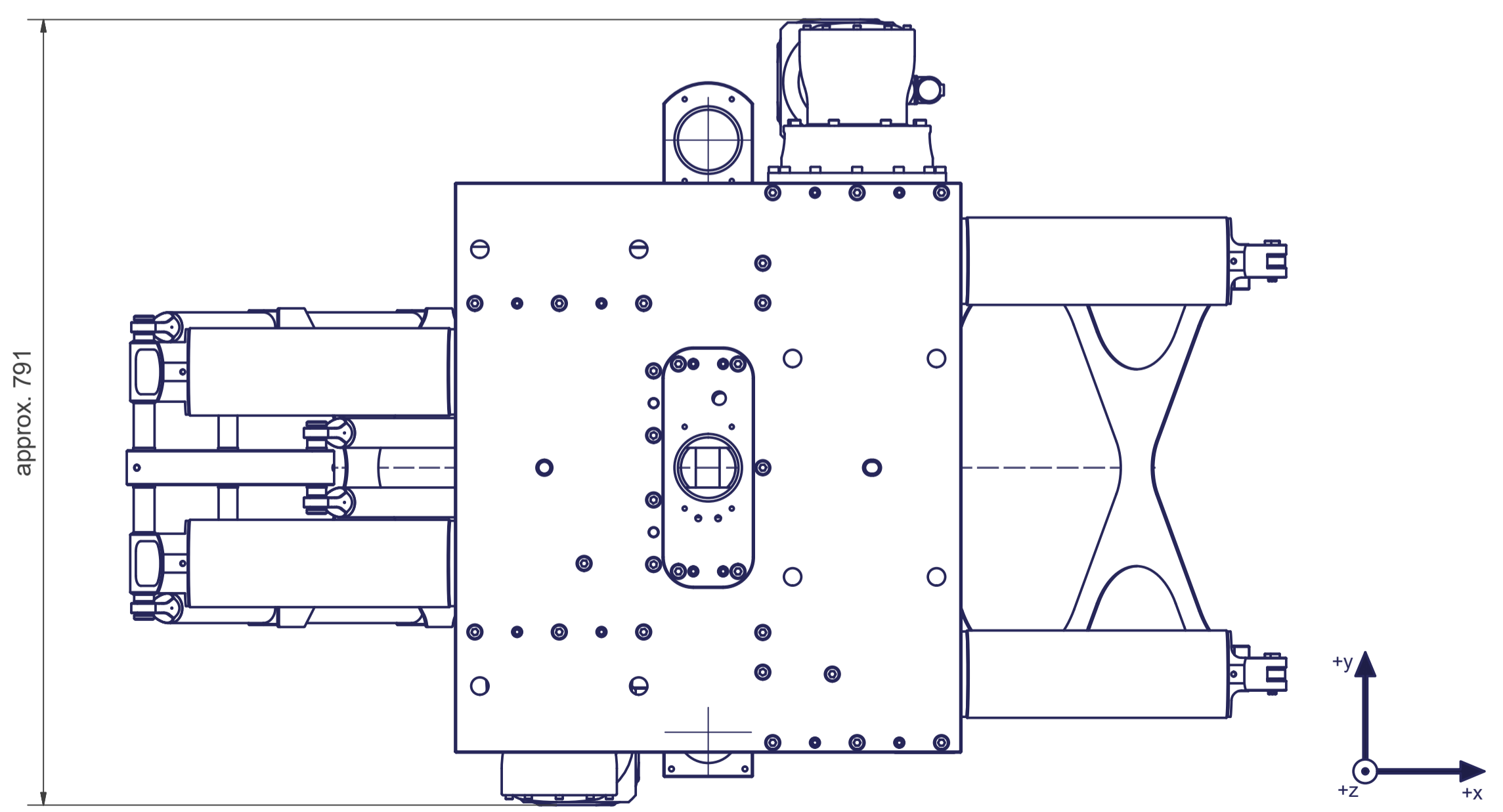


Tool Center Point
TCP (on the plane of the flange)

Flange - according to **tool-side change-adapter** (MT_BGR00105130)

M6 (8x), 12 mm deep (to fix some tools like ejectors for example)

G1/8" (6x), 10 mm deep (for example for Fitting (not included): Festo, Push-in fitting Product name: QS-G1/8-6-I Part-number: 186107)





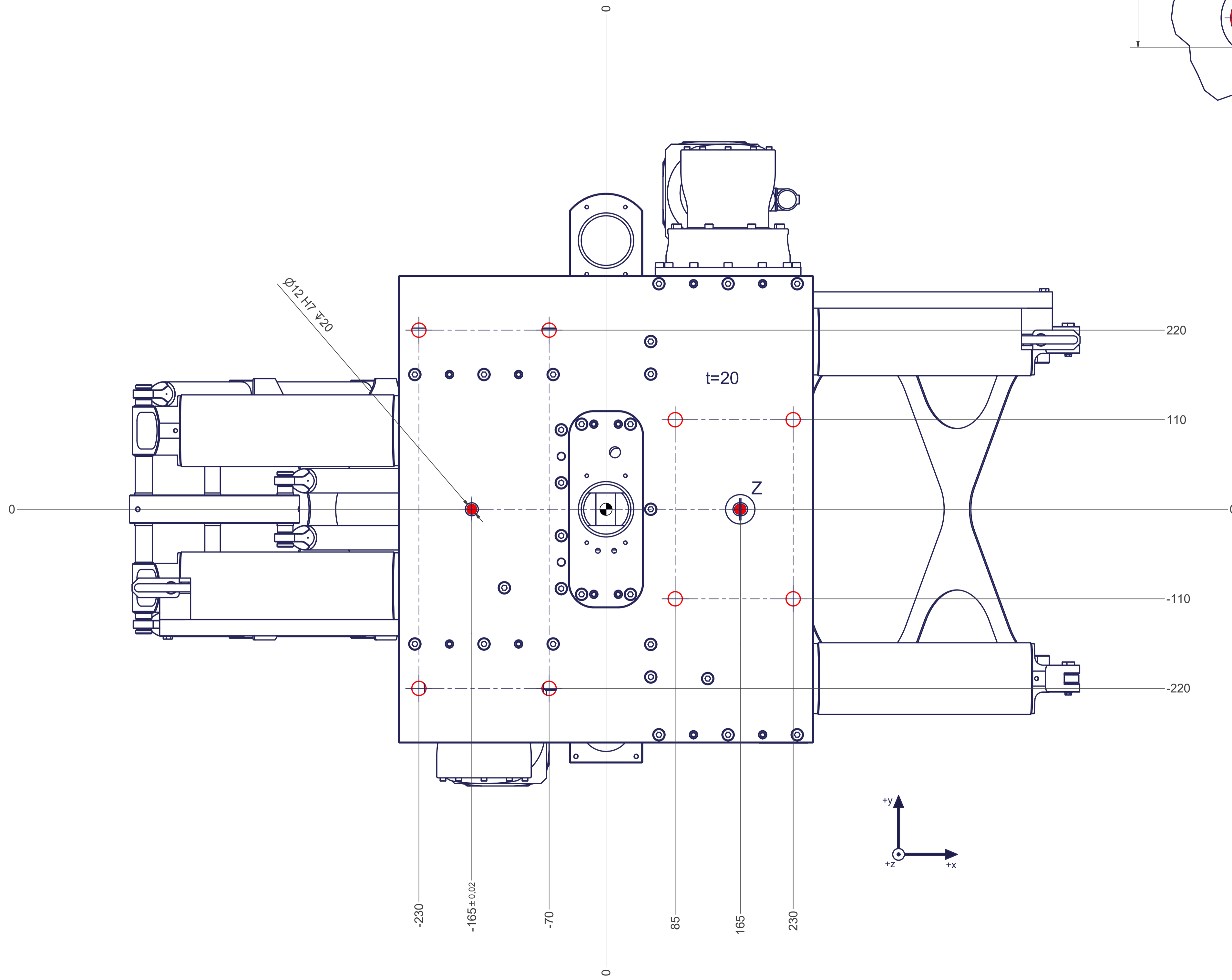
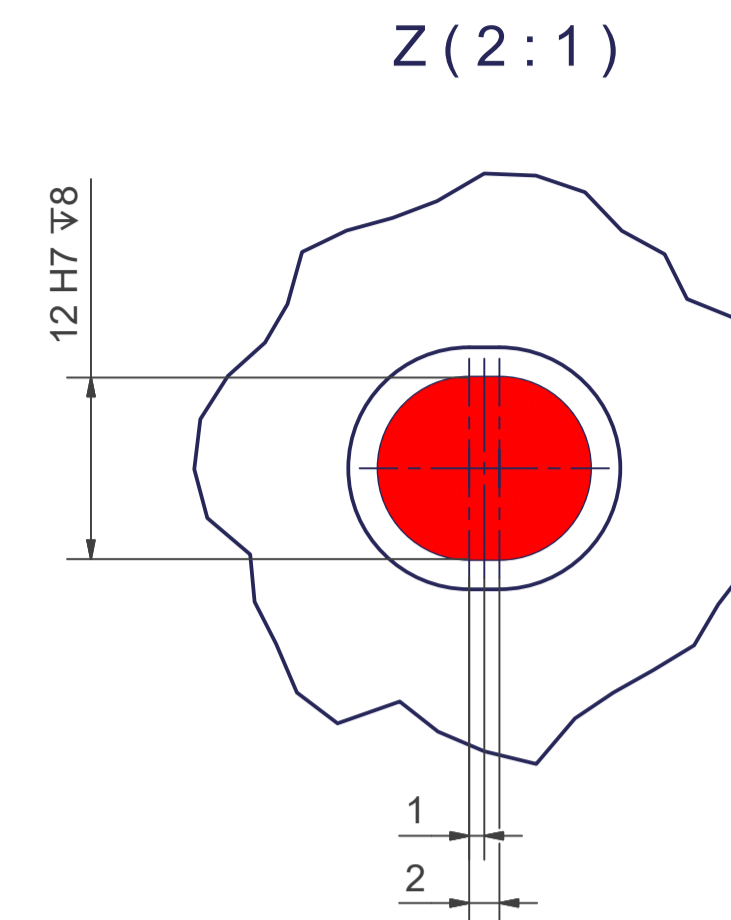
OPTIONAL:
Tool-side change-adapter MT_BGR00105130

Connecting dimensions, valid for article number A_00095.01-ATS/+Y

m= kg	A	p= bar
proj. storage surface = m ²		v= l/min
First angle projection	P= kW	U= V / Hz / Ph
	U= A	
	Imax=	

12 11 10 9 8 7 6 5 4 3 2 1

-  All fastening holes $\varnothing 17,5$ mm for screws M16 (DIN ISO 4014/4017 -8.8) without washers. Fastening holes are coloured red.
-  Drilling holes for locating pins are filled red. Recommended dimensions of locating pins: $\varnothing 12$ h6



12 11 10 9 8 7 6 5 4 3 2 1