


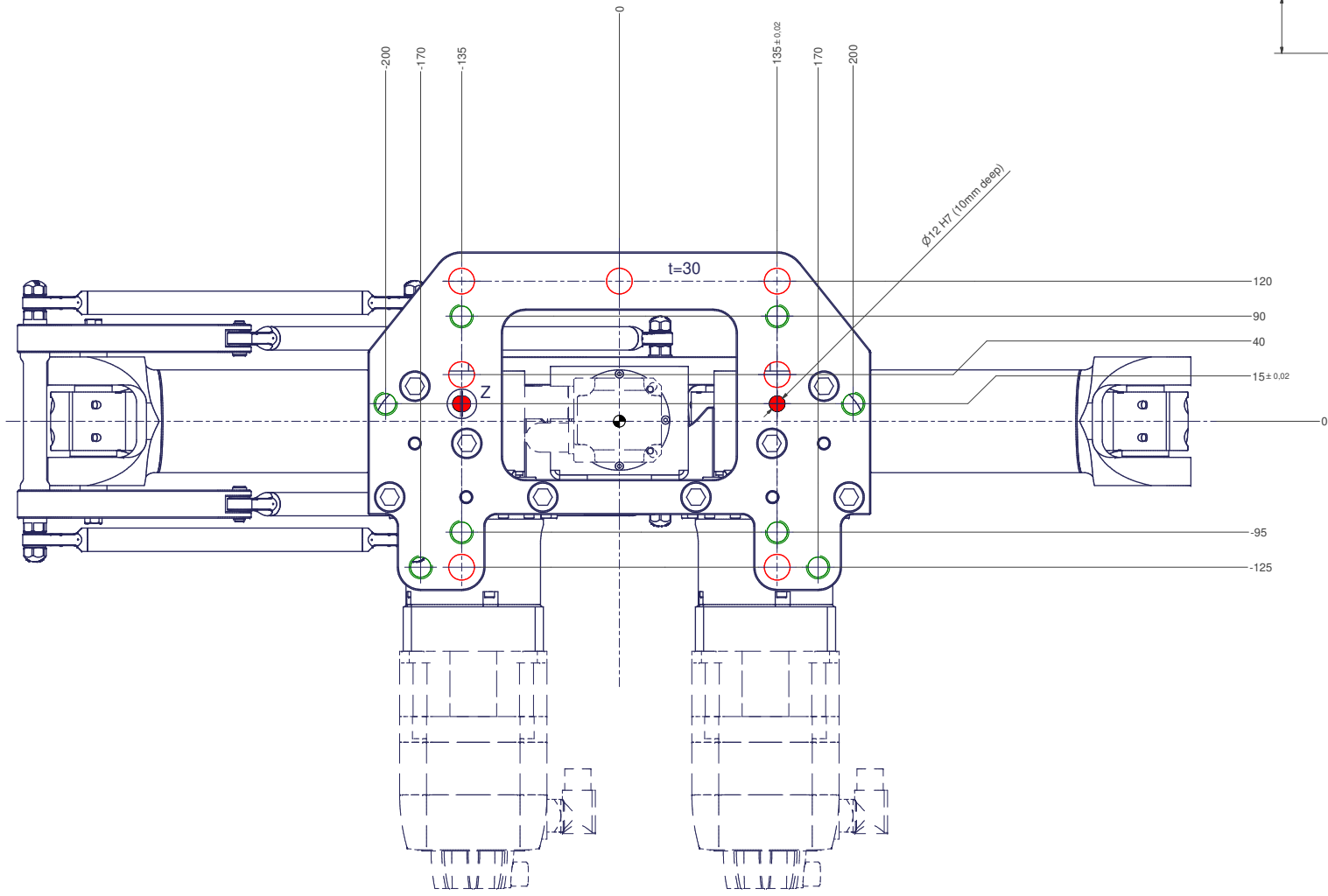
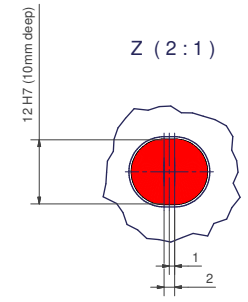


m= kg	A	bar
projected storage surface = m²	P= kW	v= l/min
U= V / Hz / Ph	I _{max} = A	

12 11 10 9 8 7 6 5 4 3 2 1

-  All fastening holes $\phi 22$ for screws M20 (DIN ISO 4014/4017 -8.8) without washer. Fastening holes are coloured red. The tightening torque for these screws (strength class 8.8) is 360 Nm (in a steel frame).
-  Drilling holes for locating pins are filled red. Recommended dimensions of locating pins: $\phi 12$ h6
-  Thread holes for screws M20 are coloured green. The tightening torque for these screws (strength class 8.8) is 170 Nm.



12 11 10 9 8 7 6 5 4 3 2 1