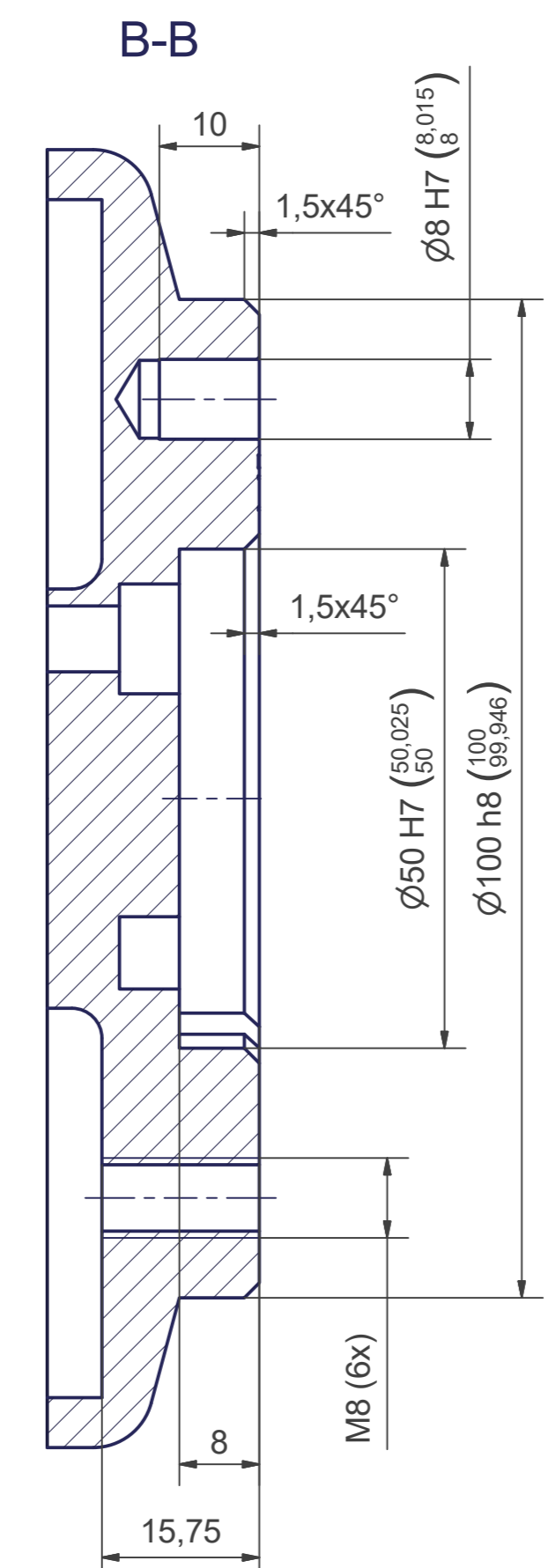
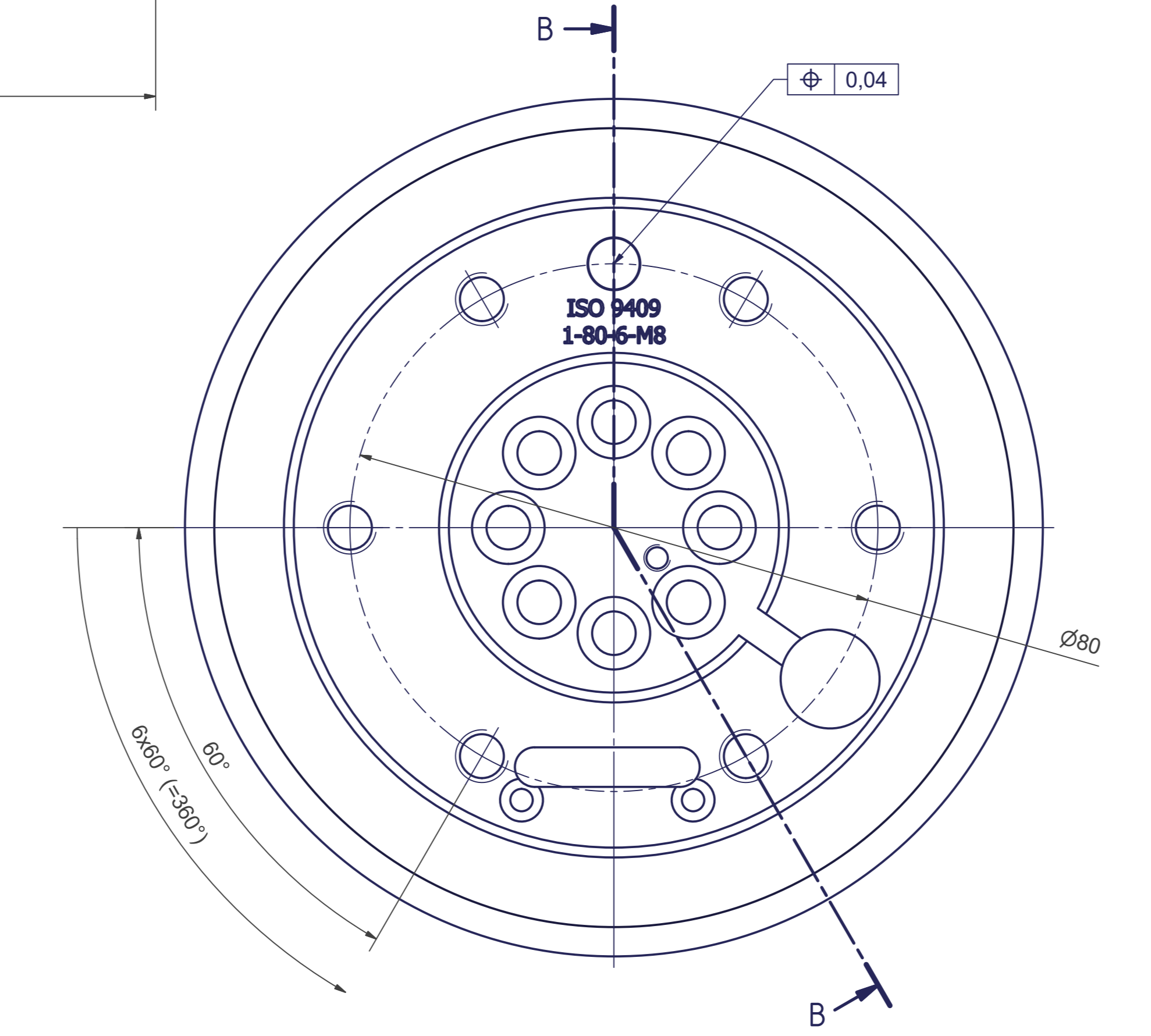


A (3:2)
Tool mounting flange A6



artic.m6-1704-30kg	
Axes	6
Payload (on TCP)	30 kg
Supplementary load on arm	10 kg
Reach	1704 mm
Mounting position	angle, ceiling, floor, wall

Motion	
Axes	Range fully usable
A1	± 185°
A2	- 69° / + 148°
A3	- 160° / + 67°
A4	± 185°
A5	± 120°
A6	± 360°

Connecting dimensions, valid for article number: AT_00026-SE01

kg	⚡	⊙
m³	A	⊖
proj. storage surface = m²	⊥	p= bar
First angle projection	U= V / Hz / Ph	⊘= lim
Imax=	kw	
	A	

autonox Robotics

for screws M20 (DIN ISO 4014/4017 -8.8) the tightening torque for these screws is 390 Nm (in steel frame)

More information can be found in the document "calibration dimensions"