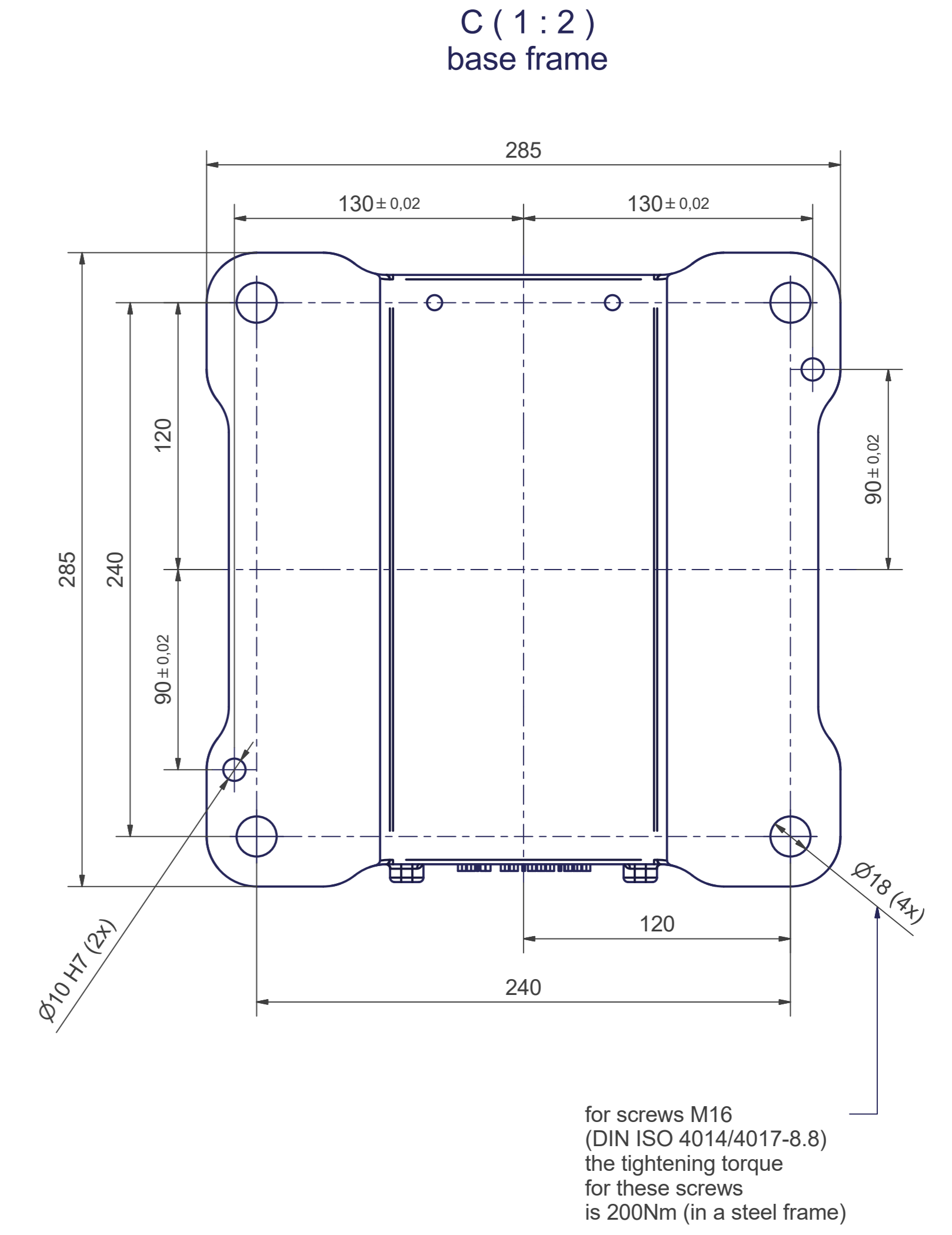
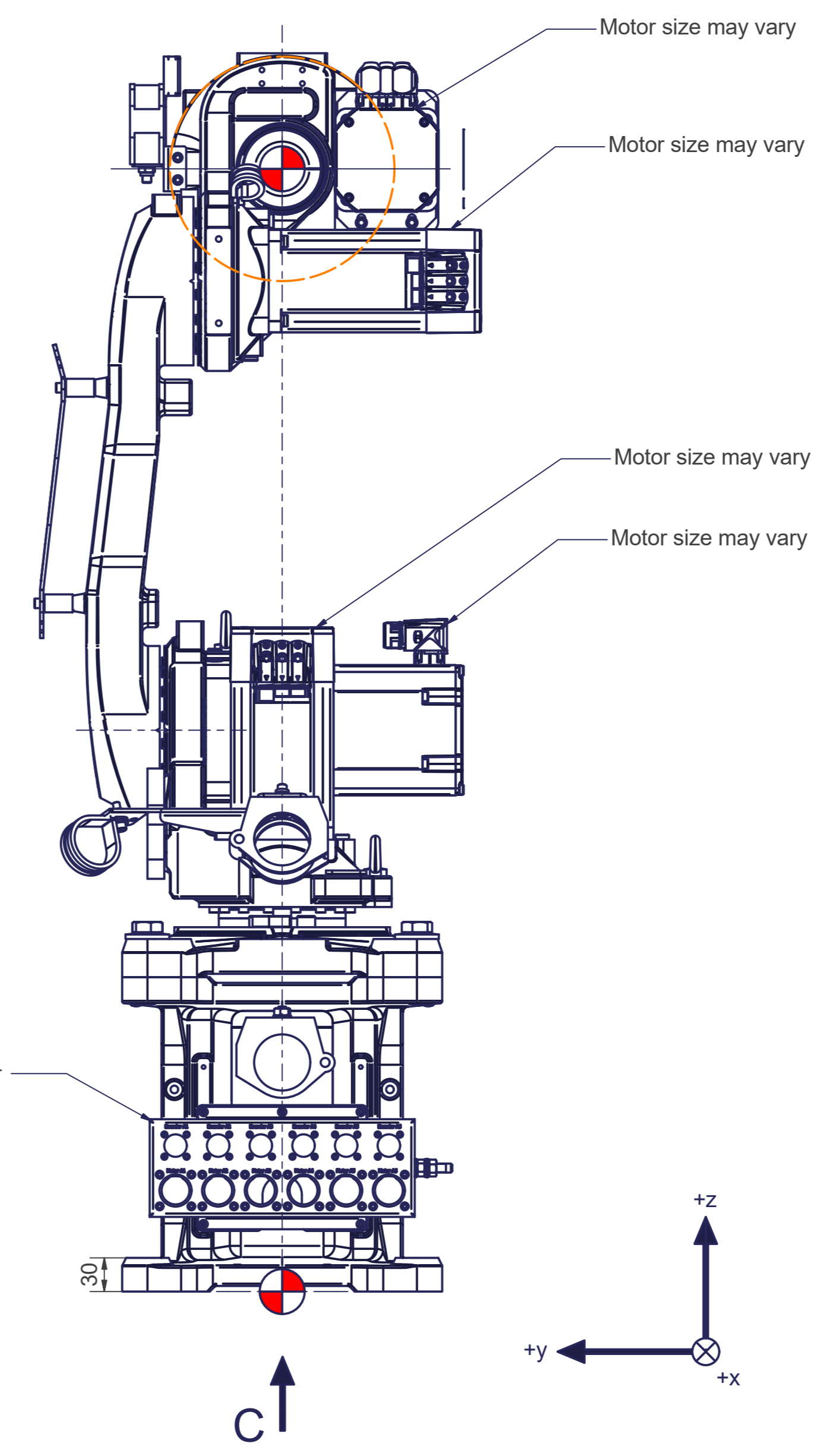
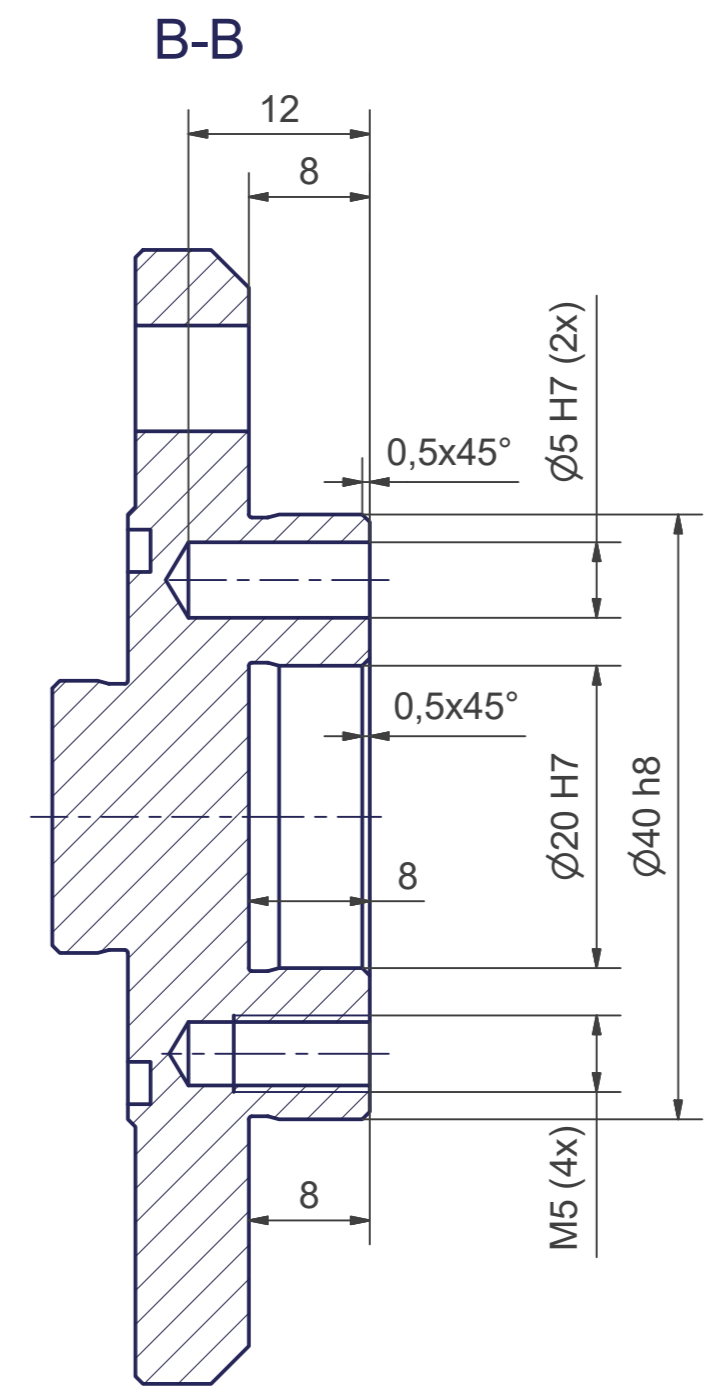
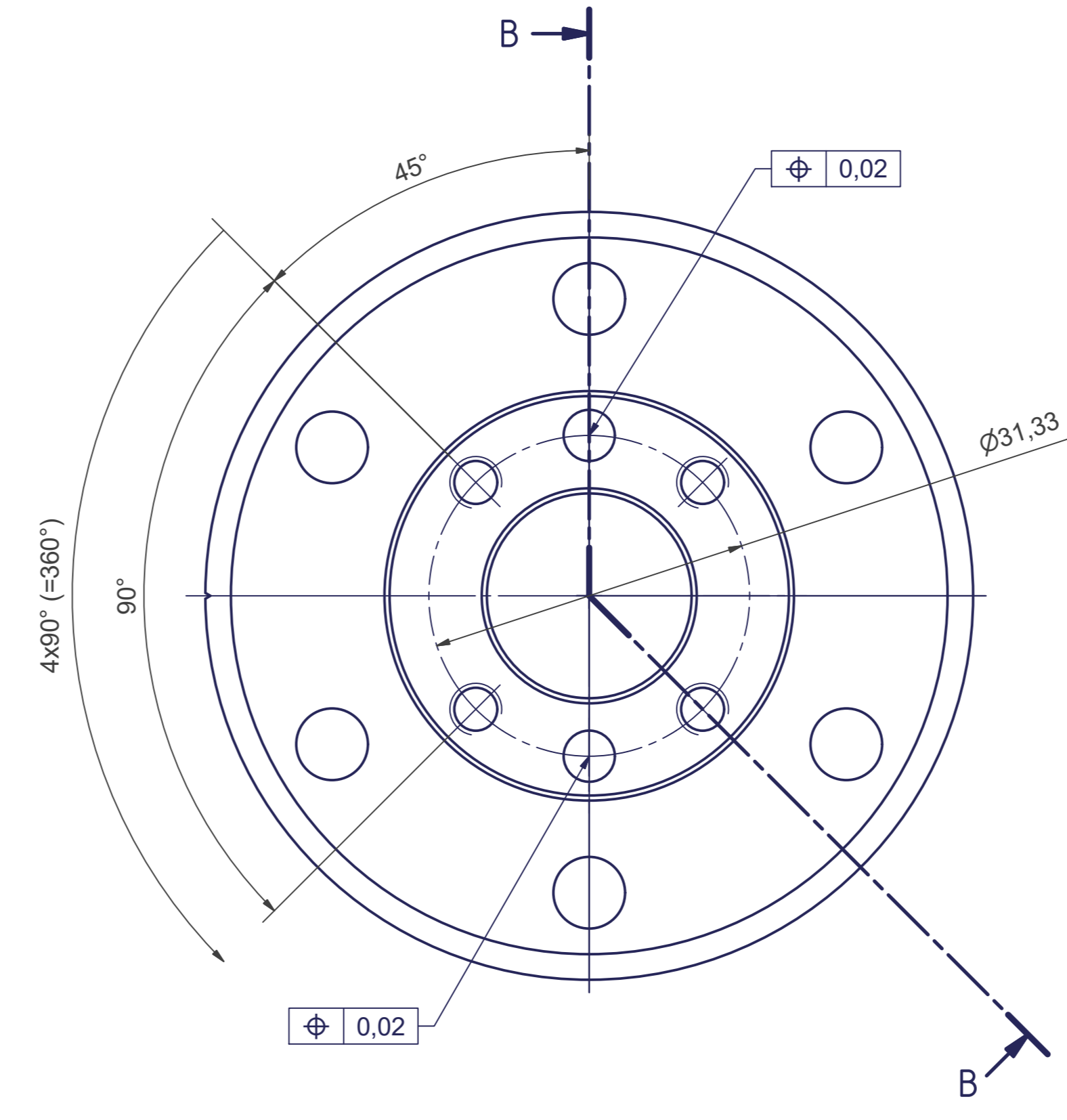


Max. center of load (3kg)
 TCP (Tool Center Point)
 Max. area center of load
 More information can be found in the document "Tool flange load"

Motion range of A5-axis rotation center
 TCP (Tool Center Point)



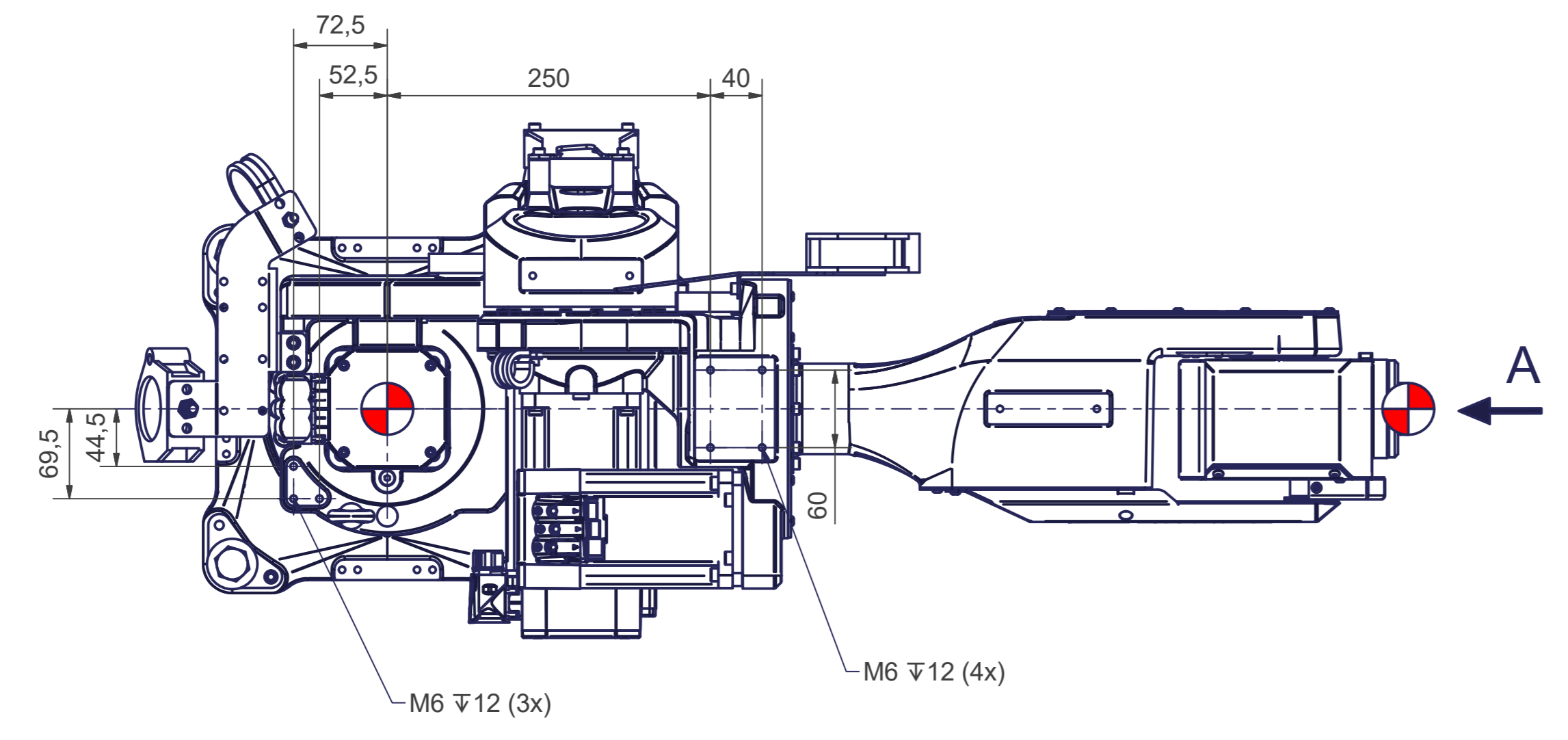
A (2 : 1)
Tool mounting flange A6



articc6-1199-3kg	
Axes	6
Payload (on TCP)	3 kg
Reach	1199 mm
Mounting position	Angle, Ceiling, Floor, Wall

Motion	
Axes	Range fully usable
A1	± 180°
A2	- 90° / + 160°
A3	- 200° / + 80°
A4	± 190°
A5	± 140°
A6	± 360°

More information can be found in the document "calibration dimensions"



Connecting dimensions, valid for article number: AT_00011

kg	⚡	⊙
m ⁻	kg	A
proj. storage surface =	m ²	P ₂
	U ₀	V / Hz / Ph
	I _{max}	A
		⊕ bar ⊖ lin

