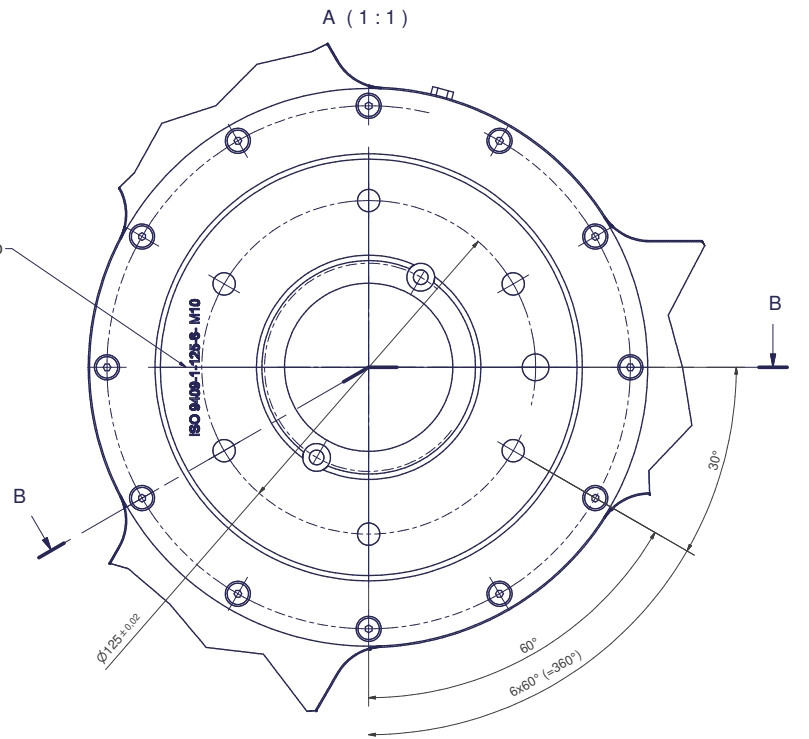


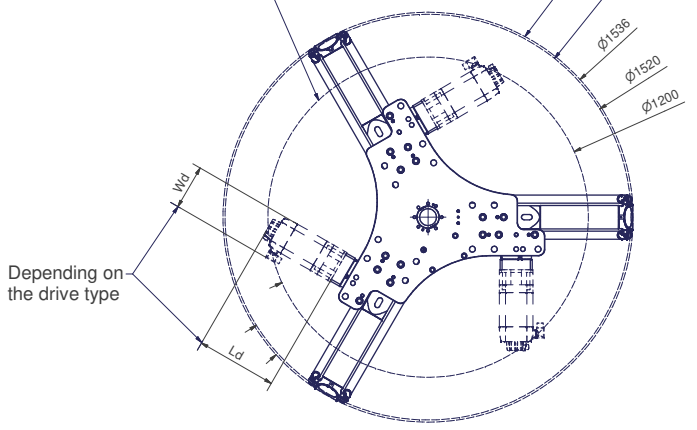
Flange diagram according to ISO 9409-1-125-6-M10



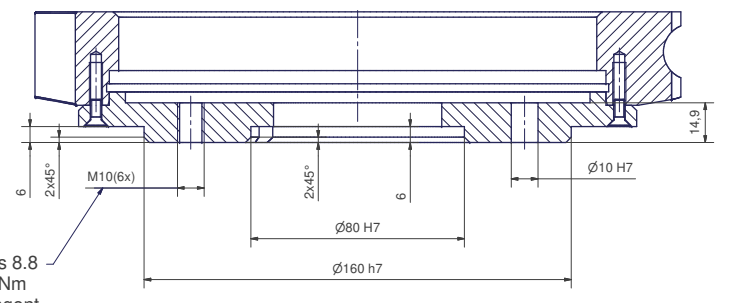
Interference contour from machine body

Maximum interference contour

TCP - working range

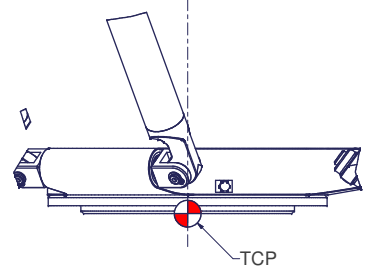


B-B



Screws strength class 8.8
Fasten with max. 40 Nm
Do not use bonding agent.

Z (1:2)



Connecting dimensions,
valid for article numbers A_00064-01 and A_00833-01

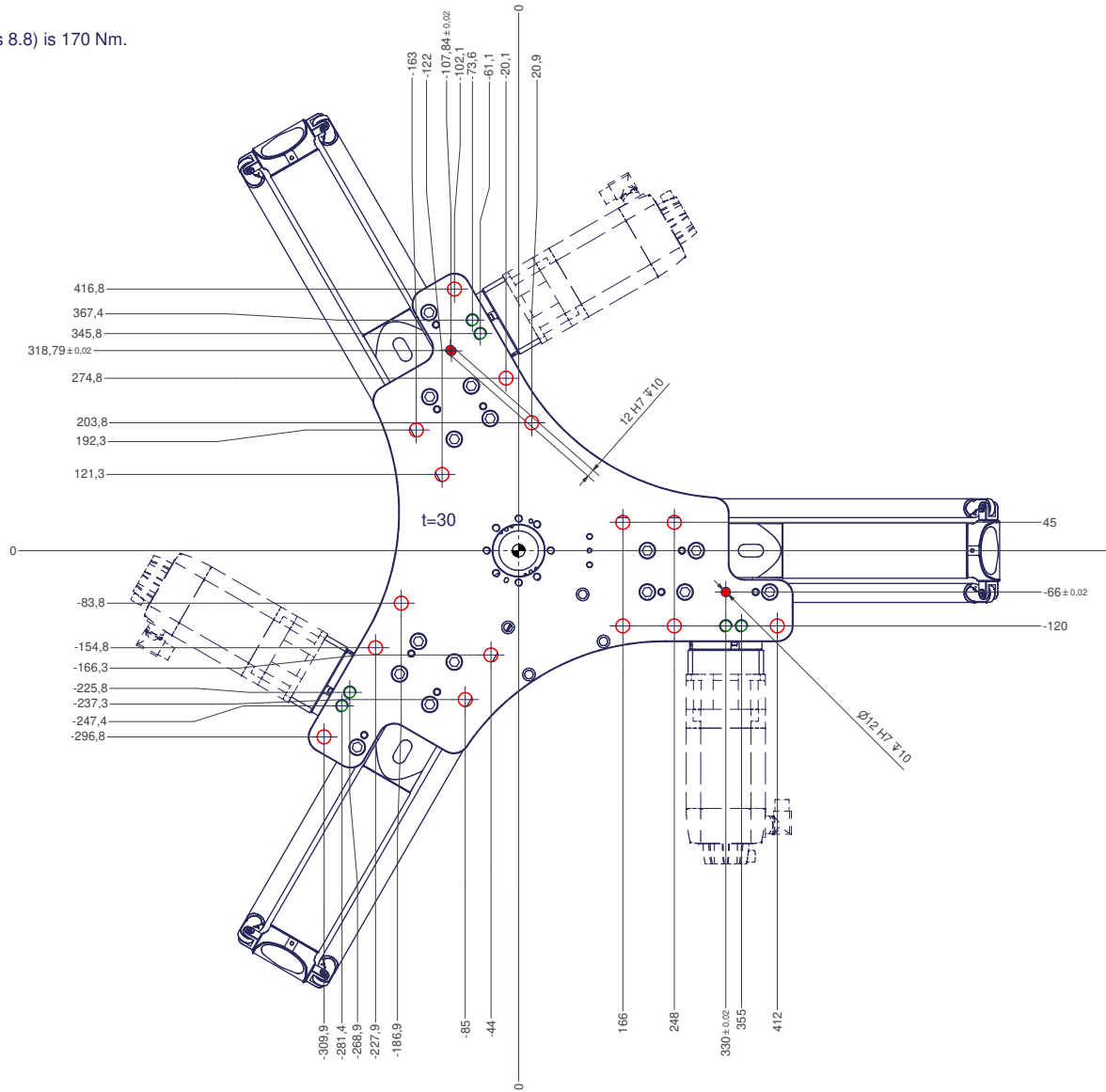
m= kg	A	p= bar
proj. storage surface = m ²	P= kW	v= l/min
U=	V / Hz / Ph	
I _{max} =	A	

12 11 10 9 8 7 6 5 4 3 2 1

○ All fastening holes Ø22 mm for screws M20 (DIN ISO 4014/4017 -8.8) without washer.
Fastening holes are coloured red.
The tightening torque for these screws (strength class 8.8) is 360 Nm (in a steel frame).

● Drilling holes for locating pins are filled red.
Recommended dimensions of locating pins: Ø12 h6 mm

○ Thread holes for screws M20 are coloured green.
The tightening torque for these screws (strength class 8.8) is 170 Nm.



12 11 10 9 8 7 6 5 4 3 2 1