




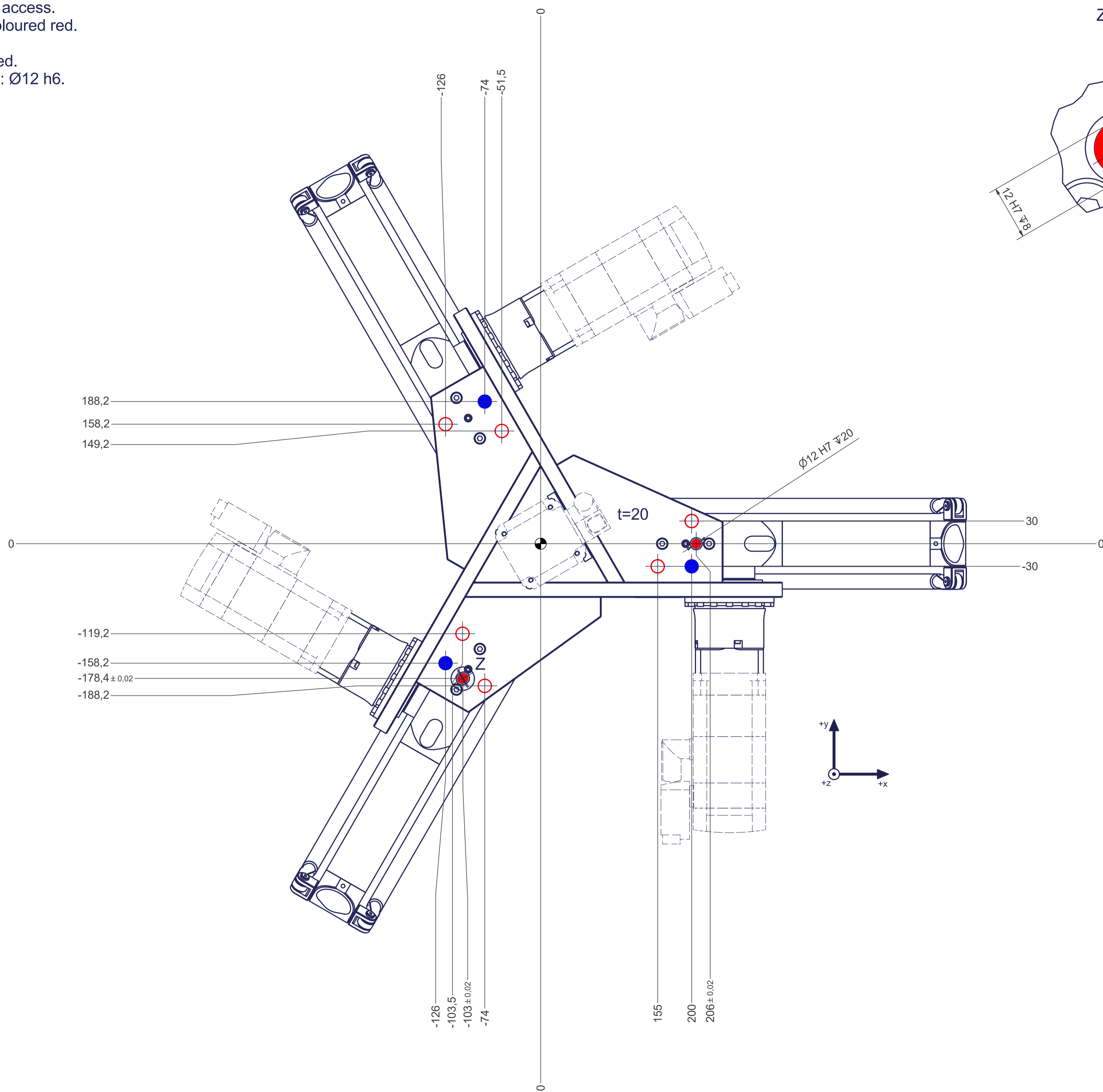
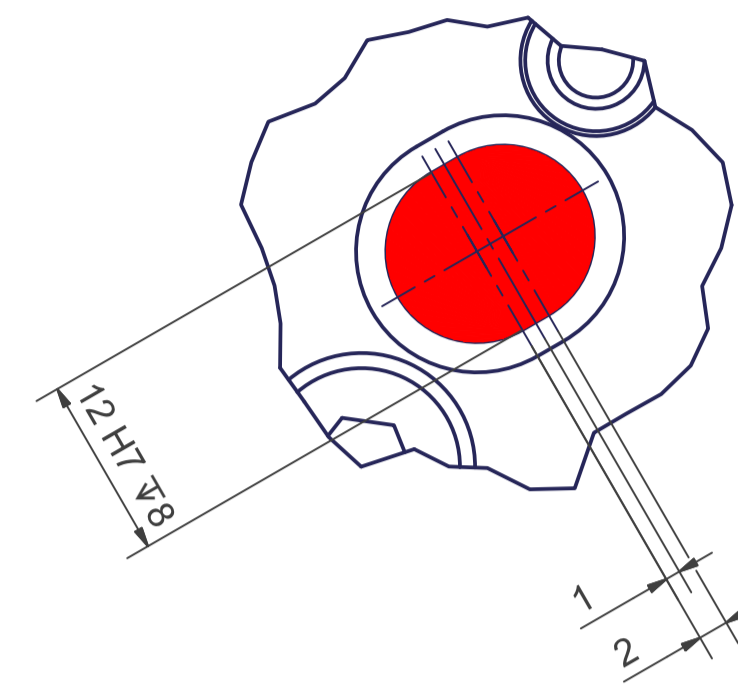
Connecting dimensions,  
valid for article number A\_00882

m= kg	A	p= bar
proj. storage surface = m²		v̇= l/min
First angle projection	P= kW	
	U= V / Hz / Ph	
	I <sub>max</sub> = A	

12 11 10 9 8 7 6 5 4 3 2 1

-  All fastening holes  $\text{\O}17,5\text{mm}$  for screws M16 (DIN ISO 4014/4017 -8.8) without washer. Fastening holes are coloured red.
-  Fastening holes filled blue are difficult to access. We recommend using fastening holes coloured red.
-  Drilling holes for locating pins are filled red. Recommend dimensions of locating pins:  $\text{\O}12\text{ h6}$ .

Z (2 : 1)



12 11 10 9 8 7 6 5 4 3 2 1