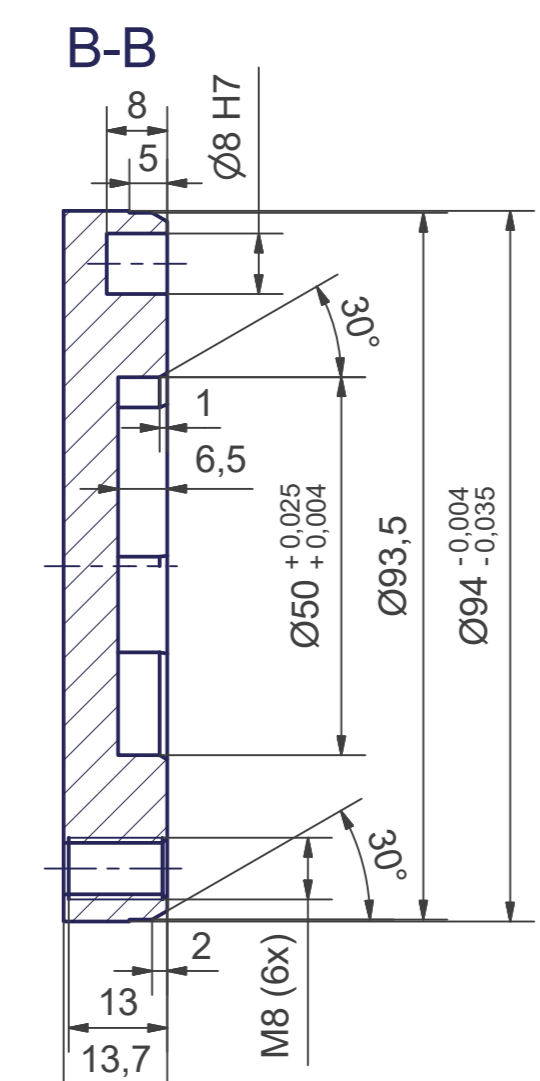
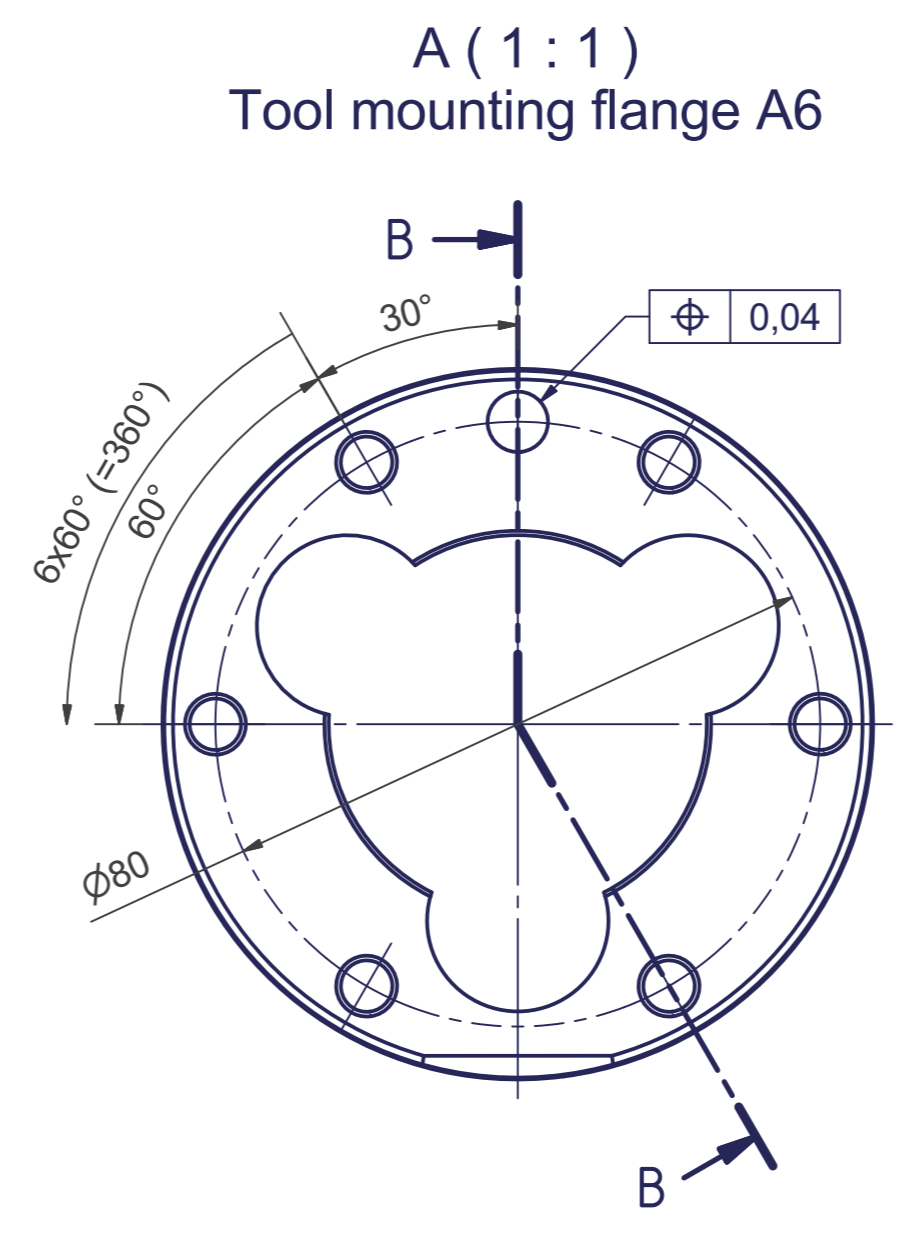
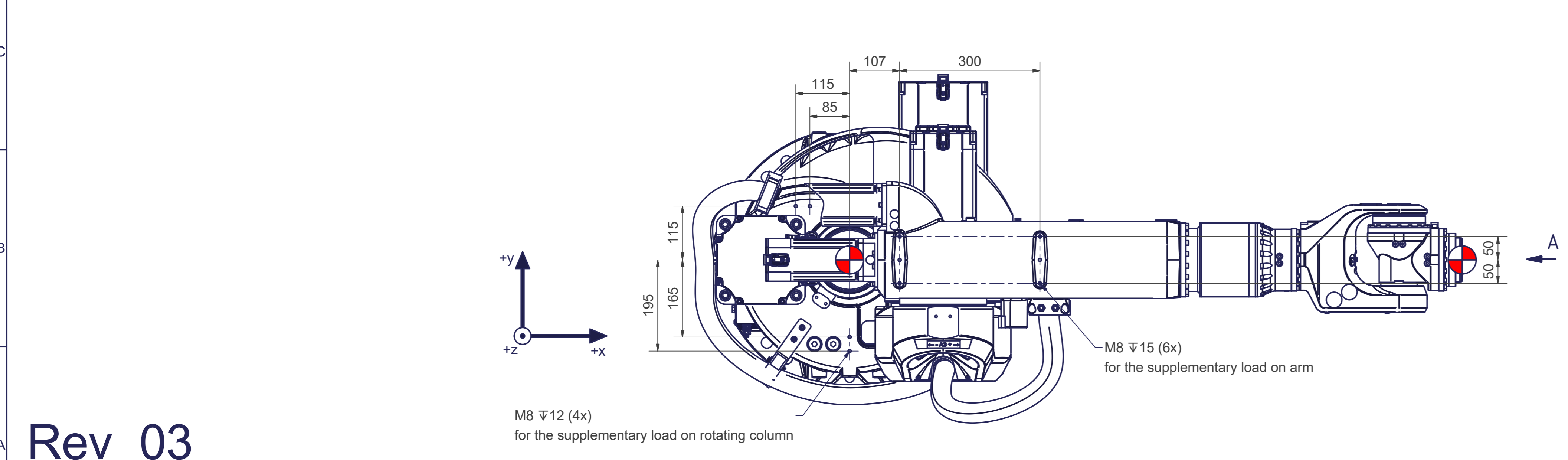


artic6-2118-45kg	
Axes	6
Payload (on TCP)	45 kg
Supplementary load on arm	40 kg
Supplementary load on rotating column	70 kg
Reach	2118 mm
Mounting position	Floor, ceiling

Motion	
Axes	Range fully usable
A1	± 185°
A2	- 90° / + 120° (*)
A3	- 184° / + 67° (*)
A4	± 360°
A5	± 120°
A6	± 360°

More information can be found in the document "calibration dimensions"
(*) only if the axis 1 motor doesn't exceed a length of 250 mm, otherwise these values must be reduced to avoid any risk of collision



Connecting dimensions, valid for article numbers AT_00010 and AT_00010-01

m ⁻	A	p ⁻ bar
kg		l/min
proj. storage surface =	m ²	
	P _z	
	U _e	V / Hz / Ph
	I _{max} e	A

Rev_03