

Depending on the drive type

Wd

Ld

Maximum deflection of the upper arm

approx. 279

Flange diagram according to ISO 9409-1-63-4-M6

A (1:1)

4x90° (=360°)

90°

45°

B

B

+z

+y

+x

Ø63 ± 0,02

Interference contour from machine body

Maximum interference contour

B-B

(22)

15

6

1x45°

M6 (4x)

1x45°

13

Ø6 H7

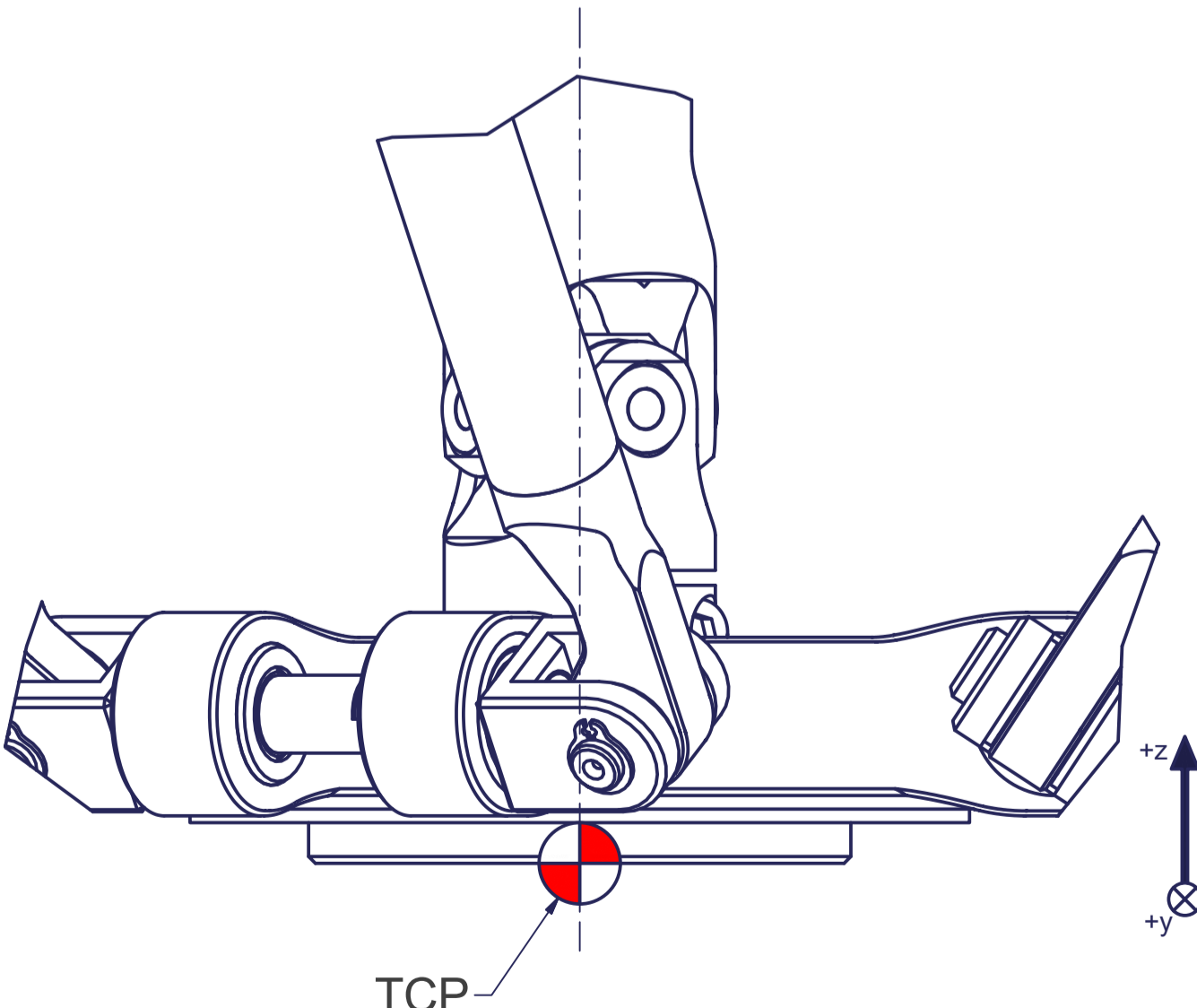
6

+z

+y

+x

Z (1:1)



TCP

+z

+y

+x

Tool Center Point
TCP (on the plane of the flange)

TCP - working range

Ø1400

(R1330.66)

+z

+y

+x

Depending on the drive type

Wd

Ld

+y

+z

+x

Ø1383

Ø1400




Ø1606

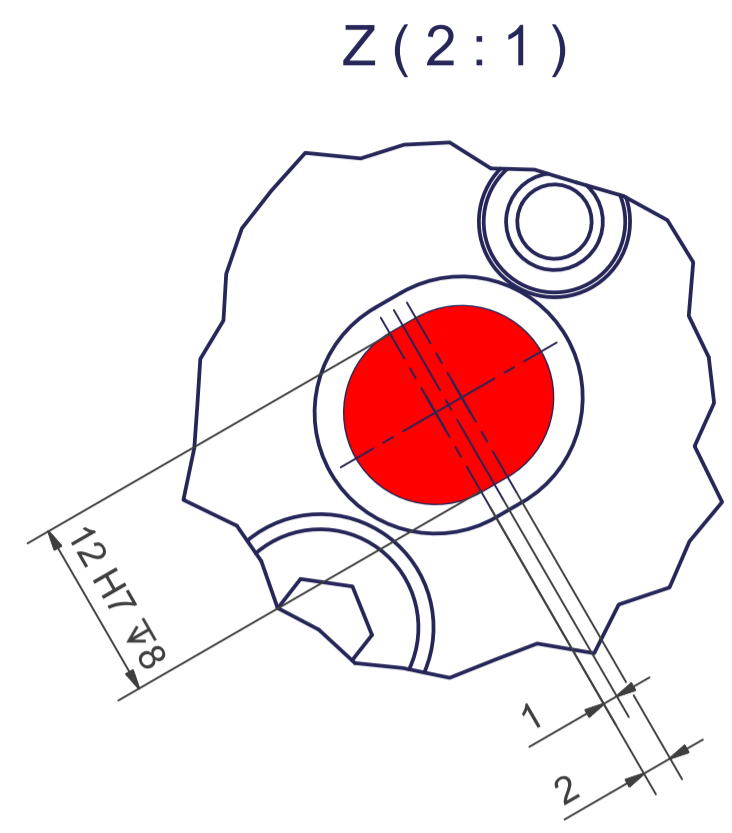
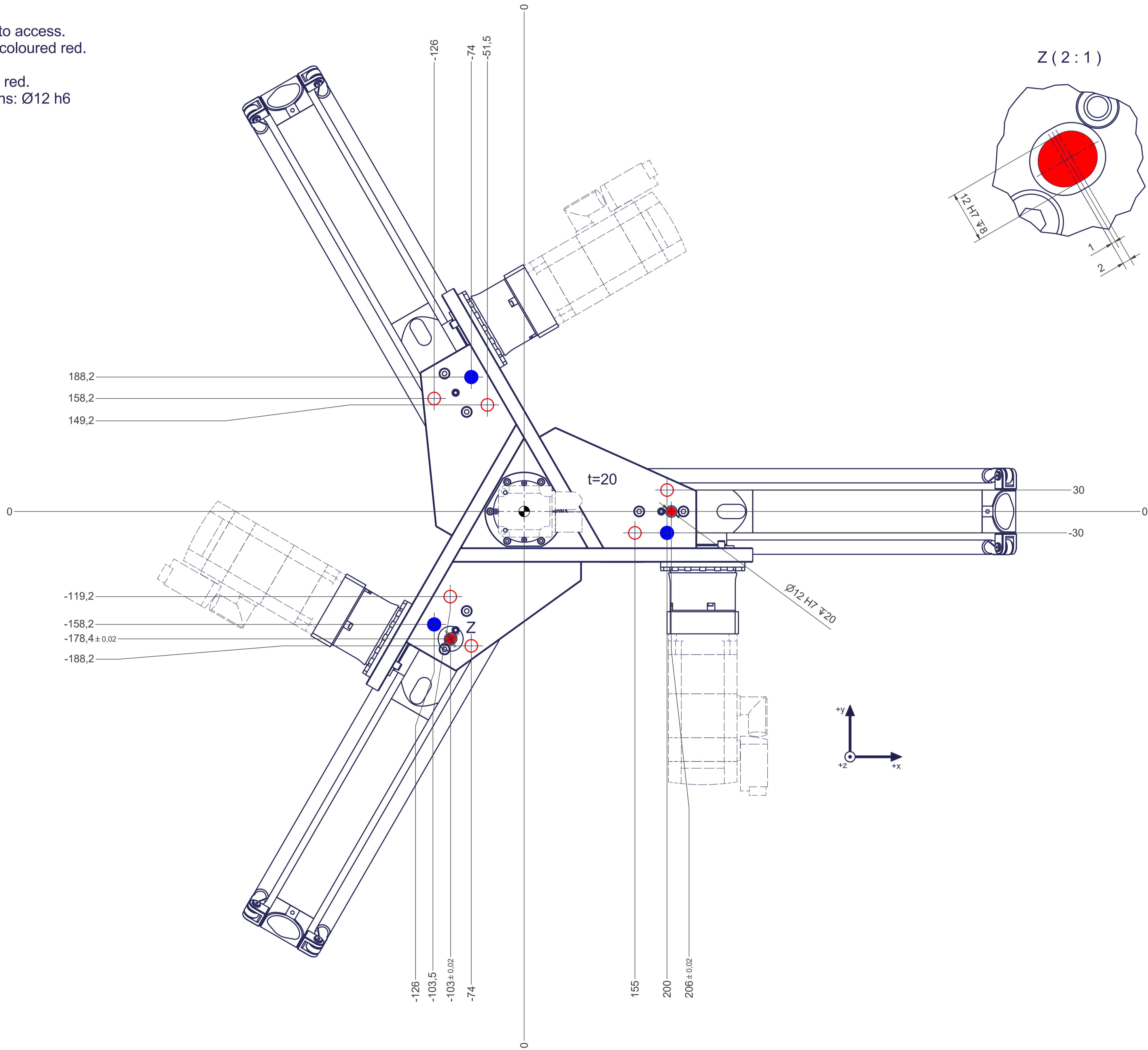
Connecting dimensions, valid for article number A_00849-01

m= kg	A	p= bar
proj. storage surface = m²		v̇= l/min
First angle projection	P= kW	
	U= V / Hz / Ph	
	Imax= A	



12 11 10 9 8 7 6 5 4 3 2 1

-  All fastening holes $\varnothing 17,5$ mm for screws M16 (DIN ISO 4014/4017 -8.8) without washers. Fastening holes are coloured red.
-  Fastening holes filled blue are difficult to access. We recommend using fastening holes coloured red.
-  Drilling holes for locating pins are filled red. Recommend dimensions of locating pins: $\varnothing 12$ h6



12 11 10 9 8 7 6 5 4 3 2 1