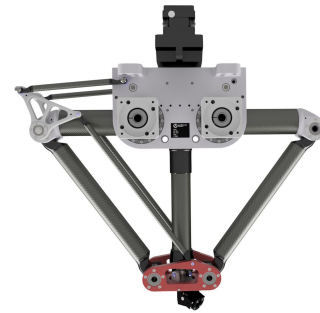


# DuoPod RVS4-750-3kg

Article number: A\_00917-FO

Lubricant variant: Food-grade lubricants (FO)



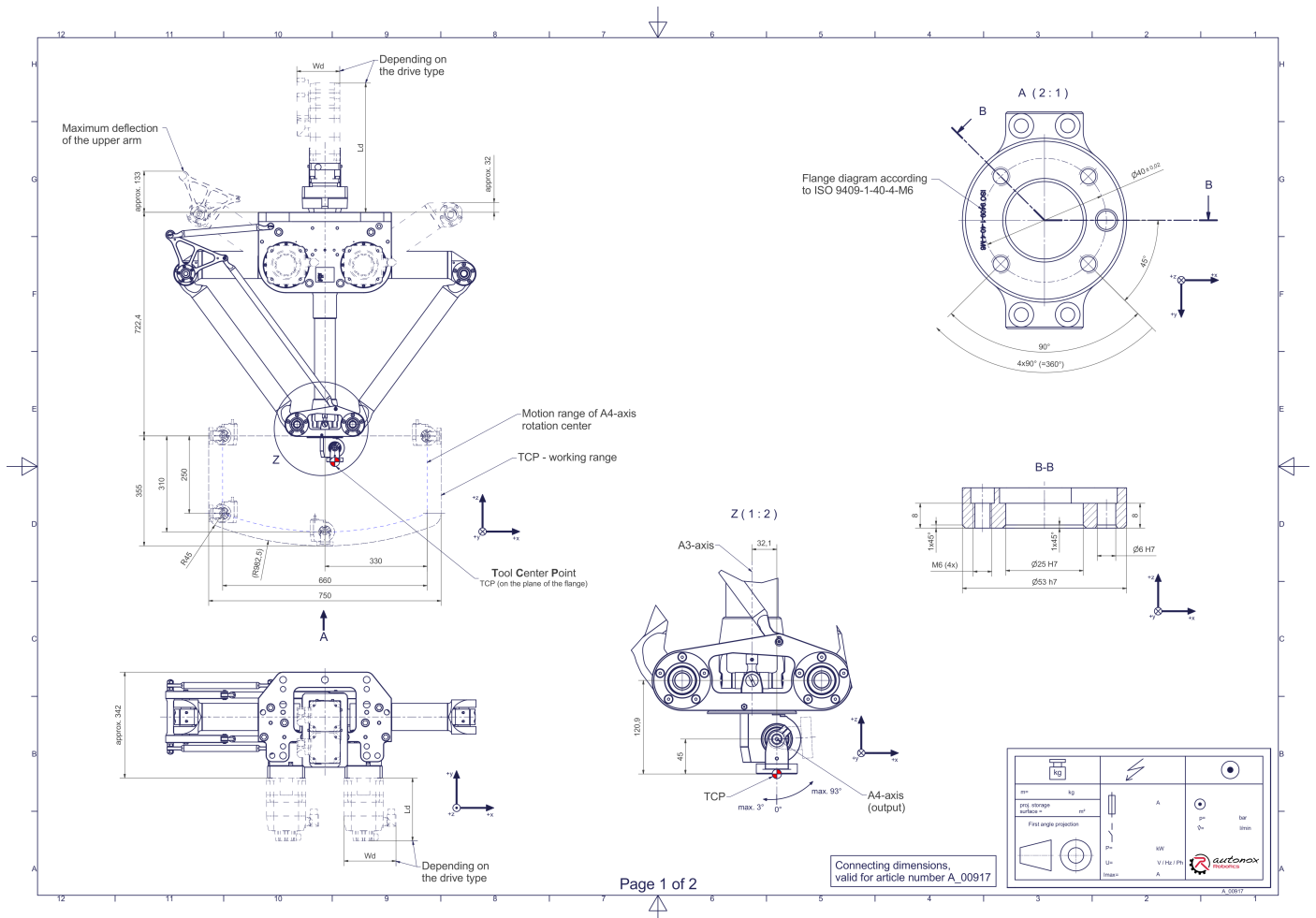
## Description:

This type of robot is based on the principle of parallel kinematics. All drives are mounted in a fixed position on the robot head. Motor cables are not moved. The robot has two (2) translational and one (1) rotational degree(s) of freedom.

## Scope of delivery:

Robot mechanics incl. gearbox, Servo motor adapter, Threaded protection caps, Transport and packing instructions

## Connecting dimensions:



Downloads: [Connecting dimensions \(PDF\)](#), [3D model \(STP\)](#), [3D model \(PDF\)](#)

We refer to our [General Terms of Sale and Supply](#), [Terms of use](#) and [Disclaimer and Copyright notices](#).

## Technical specifications:

Field of application	Standard (not hygienic)
Kinematics	Parallel
Translatory Degrees of Freedom (X,Y,Z)	2
Rotational Degrees of Freedom ( $\alpha, \beta, \gamma$ )	2
Nominal payload [kg   lbs] *	3   6.6
Working area-width [mm   in]	750   29.5
Working height outside [mm   in]	250   9.8
Working height center [mm   in]	355   14.0
Max. acceleration torque of the rotation $\alpha/\beta$ around X/Y at the output [Nm   in.lbs]	16   141.6
Nominal torque of the rotation $\alpha/\beta$ around X/Y at the output [Nm   in.lbs]	16   141.6
Max. speed of the rotation $\alpha/\beta$ around X/Y at the output [1/min]	82
Nominal speed of the rotation $\alpha/\beta$ around X/Y at the output [1/min]	82
Max. acceleration torque of the rotation $\gamma$ around Z at the output [Nm   in.lbs]	40   354.0
Nominal torque of the rotation $\gamma$ around Z at the output [Nm   in.lbs]	40   354.0
Max. speed of the rotation $\gamma$ around Z at the output [1/min]	260
Nominal speed of the rotation $\gamma$ around Z at the output [1/min]	160
Bearing type of the telescopic shaft(s)	Roller bearing
Bearing type of the arm joints	Roller bearing
Lubricants of the bearings	Food-grade (FO)
Lubricants of the gearboxes	Food-grade (FO)
Cleaning	No high pressure
Ambient temperature [°C   °F]	0 to +40   +32 to +104
Relative humidity level [%]	95 (free of condensation)
Mounting position	Floor, Ceiling, Wall (on request), Angle (on request)

\* All given values are nominal values (nominal payload referred to a nominal performance) and can vary under realworld conditions depending on the application (tool specifications, load distances, reduction (partly) of the nominal performance when using food-grade lubricants, ...). Please consider our technical data sheets regarding the load capacity.