

DuoPod RVS3-1100-6kg

Article number: A_00907-FO

Lubricant variant: Food-grade lubricants (FO)



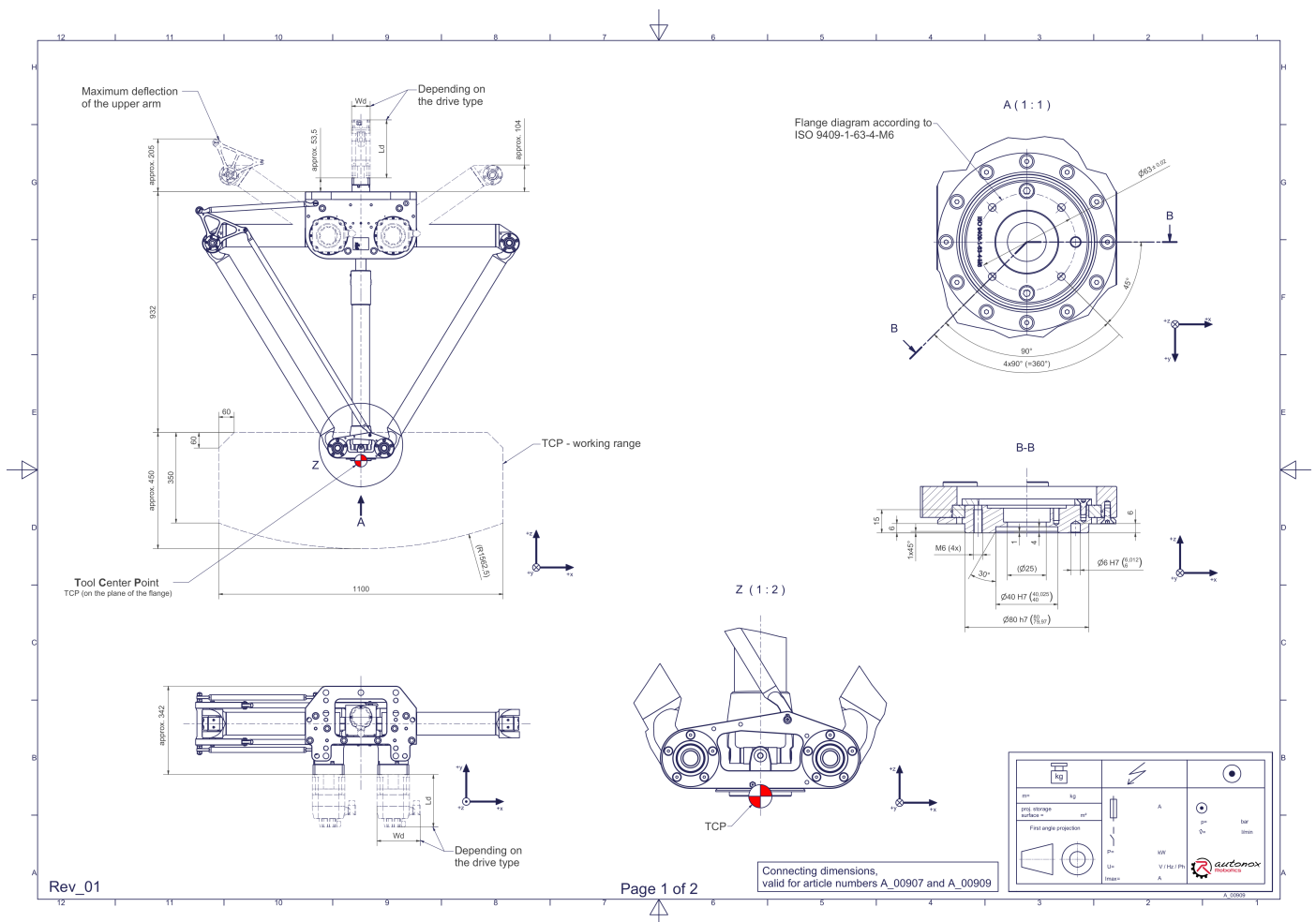
Description:

This type of robot is based on the principle of parallel kinematics. All drives are mounted in a fixed position on the robot head. Motor cables are not moved. The robot has two (2) translational and one (1) rotational degree(s) of freedom.

Scope of delivery:

Robot mechanics incl. gearbox, Servo motor adapter, Threaded protection caps, Transport and packing instructions

Connecting dimensions:



Downloads: [Connecting dimensions \(PDF\)](#), [3D model \(STP\)](#), [3D model \(PDF\)](#)

We refer to our [General Terms of Sale and Supply](#) and [Terms of use](#).

Technical specifications:

| | |
|--|---|
| Field of application | Standard (not hygienic) |
| Kinematics | Parallel |
| Translatory Degrees of Freedom (X,Y,Z) | 2 |
| Rotational Degrees of Freedom (α,β,γ) | 1 |
| Nominal payload [kg lbs] * | 6 13.2 |
| Working area-width [mm in] | 1100 43.3 |
| Working height outside [mm in] | 350 13.8 |
| Working height center [mm in] | 450 17.7 |
| Max. acceleration torque of the rotation γ around Z at the output [Nm in.lbs] | 40 354.0 |
| Nominal torque of the rotation γ around Z at the output [Nm in.lbs] | 40 354.0 |
| Max. speed of the rotation γ around Z at the output [1/min] | 375 |
| Nominal speed of the rotation γ around Z at the output [1/min] | 200 |
| Bearing type of the telescopic shaft(s) | Roller bearing |
| Bearing type of the arm joints | Roller bearing |
| Lubricants of the bearings | Food-grade (FO) |
| Lubricants of the gearboxes | Food-grade (FO) |
| Cleaning | No high pressure |
| Ambient temperature [$^{\circ}$C $^{\circ}$F] | 0 to +40 +32 to +104 |
| Relative humidity level [%] | 95 (free of condensation) |
| Mounting position | Floor, Ceiling, Wall (on request), Angle (on request) |

* All given values are nominal values (nominal payload referred to a nominal performance) and can vary under realworld conditions depending on the application (tool specifications, load distances, reduction (partly) of the nominal performance when using food-grade lubricants, ...). Please consider our technical data sheets regarding the load capacity.