

## DELTA RL4X-1050-3kg

Article number: A\_00882

Lubricant variant: Synthetic lubricants



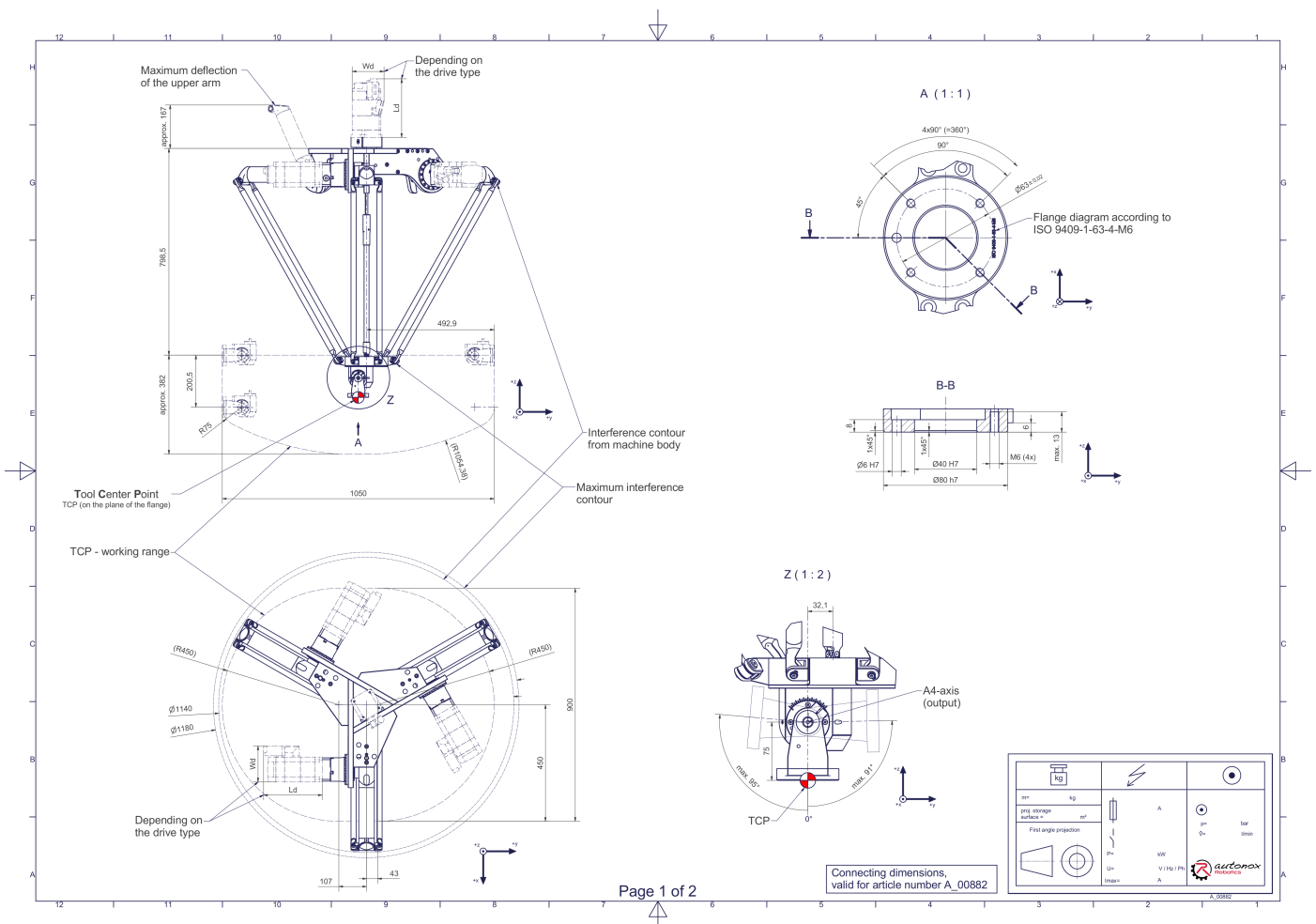
### Description:

This type of robot is based on the principle of parallel kinematics. All drives are mounted in a fixed position on the robot head. Motor cables are not moved. The robot has three (3) translational and one (1) rotational degree(s) of freedom.

### Scope of delivery:

Robot mechanics incl. gearbox, Servo motor adapter, Threaded protection caps, Transport and packing instructions

### Connecting dimensions:



**Downloads:** [Connecting dimensions \(PDF\)](#), [3D model \(STP\)](#), [3D model \(PDF\)](#)

We refer to our [General Terms of Sale and Supply](#) and [Terms of use](#).

## Technical specifications:

Field of application	Standard (not hygienic)
Kinematics	Parallel
Translatory Degrees of Freedom (X,Y,Z)	3
Rotational Degrees of Freedom ( $\alpha, \beta, \gamma$ )	1
Nominal payload [kg   lbs] *	3   6.6
Working area-width X/Y [mm   in]	900/1050   35.4/41.3
Working height outside [mm   in]	200,5   7.9
Working height center [mm   in]	382   15.0
Max. acceleration torque of the rotation $\alpha$ around X at the output [Nm   in.lbs]	16   141.6
Nominal torque of the rotation $\alpha$ around X at the output [Nm   in.lbs]	16   141.6
Max. speed of the rotation $\alpha$ around X at the output [1/min]	82
Nominal speed of the rotation $\alpha$ around X at the output [1/min]	82
Bearing type of the telescopic shaft(s)	Roller bearing
Bearing type of the arm joints	Roller bearing
Lubricants of the gearboxes	Synthetic
Cleaning	No high pressure
Ambient temperature [°C   °F]	0 to +40   +32 to +104
Relative humidity level [%]	95 (free of condensation)
Mounting position	Floor, Ceiling, Wall (on request), Angle (on request)

\* All given values are nominal values (nominal payload referred to a nominal performance) and can vary under realworld conditions depending on the application (tool specifications, load distances, reduction (partly) of the nominal performance when using food-grade lubricants, ...). Please consider our technical data sheets regarding the load capacity.