

DELTA RL5-1610-3kg

Article number: A_00815-01-FO

Lubricant variant: Food-grade lubricants (FO)



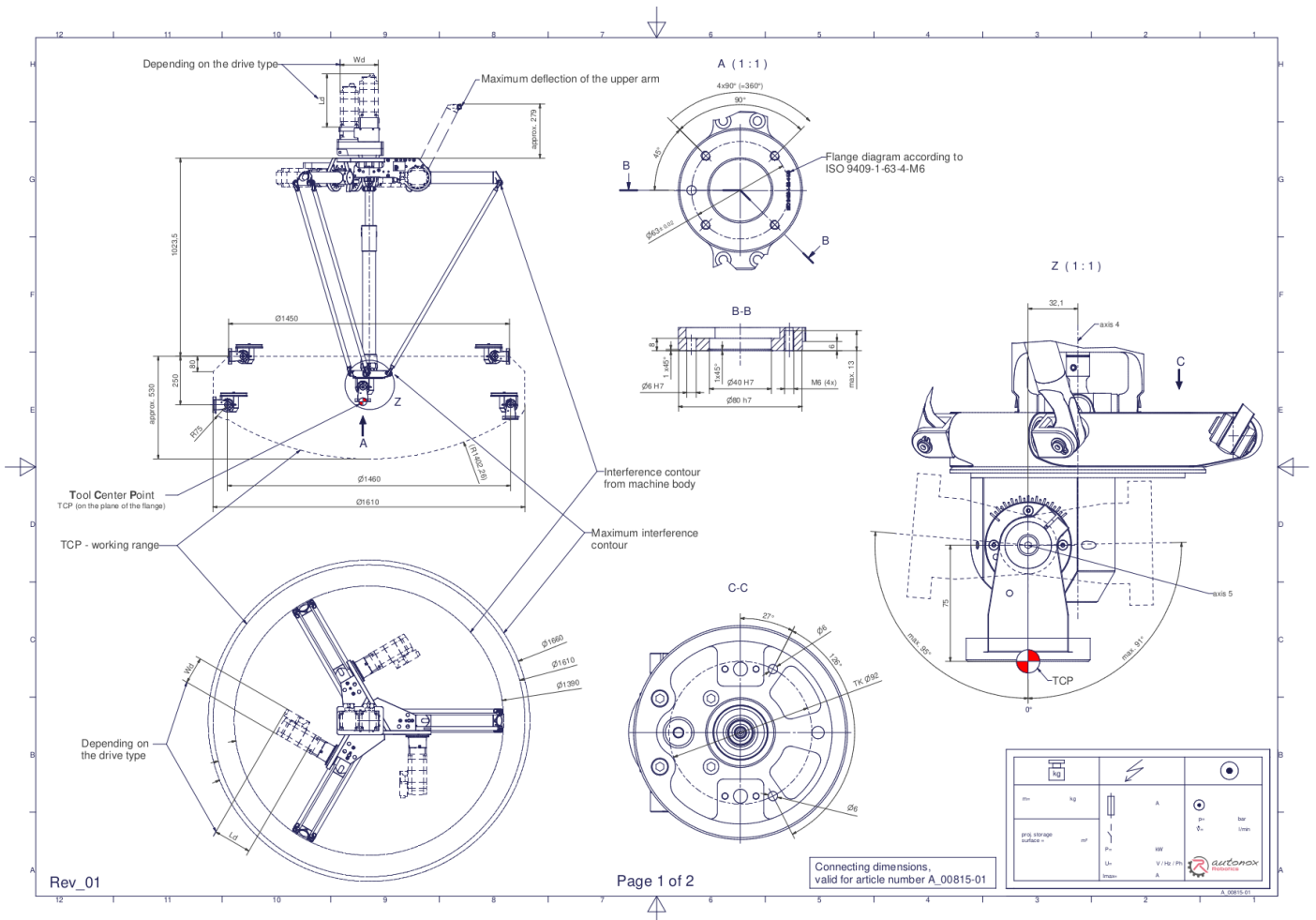
Description:

This type of robot is based on the principle of parallel kinematics. All drives are mounted in a fixed position on the robot head. Motor cables are not moved. The robot has three (3) translational and two (2) rotational degrees of freedom.

Scope of delivery:

Robot mechanics incl. gearbox, Servo motor adapter, Threaded protection caps, Transport and packing instructions

Connecting dimensions:



Downloads: [Connecting dimensions \(PDF\)](#), [3D model \(STP\)](#), [3D model \(PDF\)](#)

We refer to our [General Terms of Sale and Supply](#), [Terms of use](#) and [Disclaimer and Copyright notices](#).

Technical specifications:

Field of application	Standard (not hygienic)
Kinematics	Parallel
Translatory Degrees of Freedom (X,Y,Z)	3
Rotational Degrees of Freedom (α, β, γ)	2
Nominal payload [kg lbs] *	3 6.6
Working area-diameter [mm in]	1610 63.4
Working height outside [mm in]	250 9.8
Working height center [mm in]	530 20.9
Max. acceleration torque of the rotation α/β around X/Y at the output [Nm in.lbs]	16 141.6
Nominal torque of the rotation α/β around X/Y at the output [Nm in.lbs]	16 141.6
Max. speed of the rotation α/β around X/Y at the output [1/min]	82
Nominal speed of the rotation α/β around X/Y at the output [1/min]	82
Max. acceleration torque of the rotation γ around Z at the output [Nm in.lbs]	40 354.0
Nominal torque of the rotation γ around Z at the output [Nm in.lbs]	40 354.0
Max. speed of the rotation γ around Z at the output [1/min]	260
Nominal speed of the rotation γ around Z at the output [1/min]	160
Bearing type of the telescopic shaft(s)	Roller bearing
Bearing type of the arm joints	Roller bearing
Lubricants of the bearings	Food-grade (FO)
Lubricants of the gearboxes	Food-grade (FO)
Cleaning	No high pressure
Ambient temperature [°C °F]	0 to +40 +32 to +104
Relative humidity level [%]	95 (free of condensation)
Mounting position	Floor, Ceiling, Wall (on request), Angle (on request)
Robot weight without drive engineering (esp. drive) [kg lbs]	58,5 129.0

* All given values are nominal values (nominal payload referred to a nominal performance) and can vary under realworld conditions depending on the application (tool specifications, load distances, reduction (partly) of the nominal performance when using food-grade lubricants, ...). Please consider our technical data sheets regarding the load capacity.