

DELTA RL4-T1-2000-50kg

Article number: A_00073-T1-FO

Lubricant variant: Food-grade lubricants (FO)



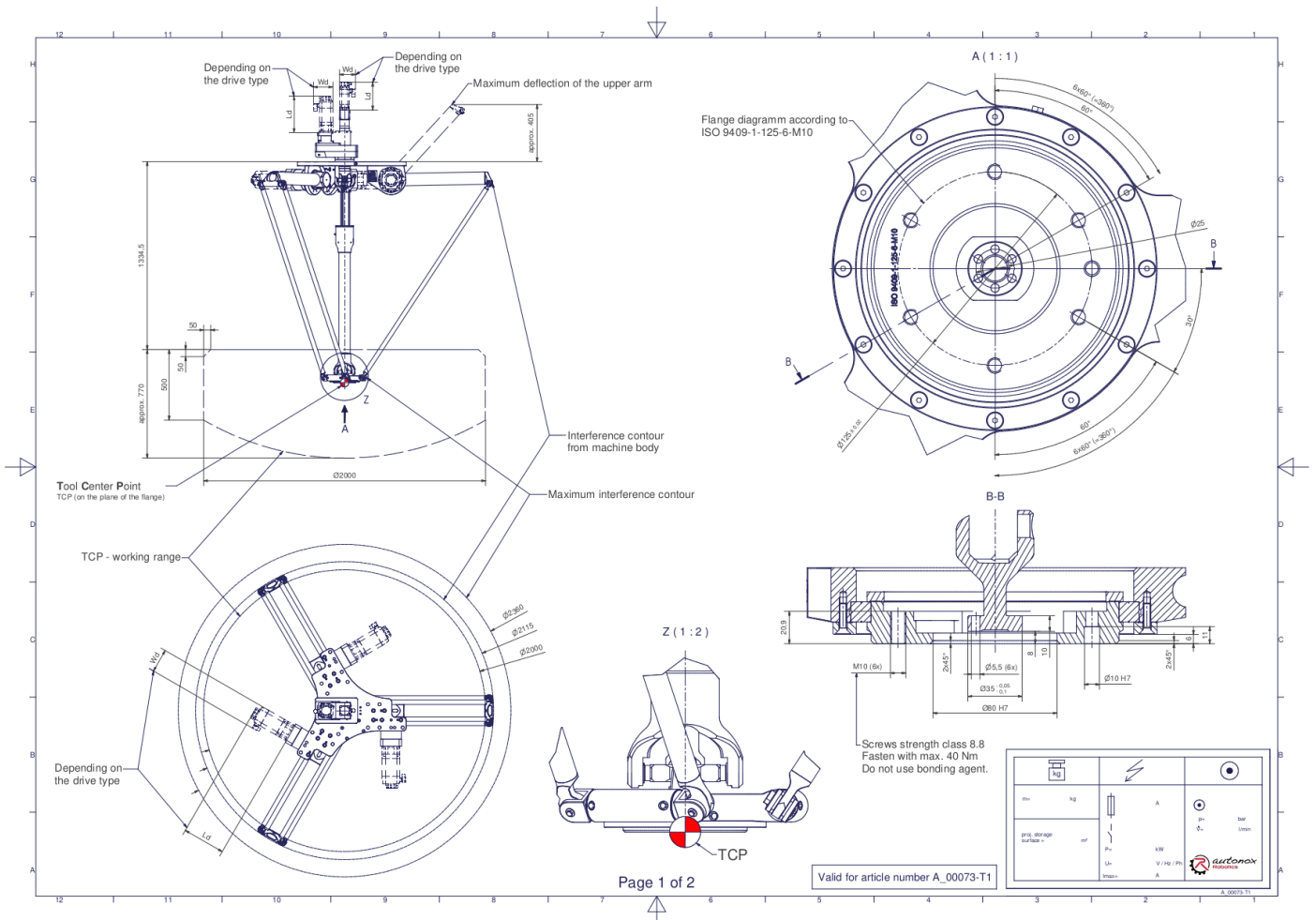
Description:

This type of robot is based on the principle of parallel kinematics. All drives are mounted in a fixed position on the robot head. Motor cables are not moved. The robot has three (3) translational and one (1) rotational degree(s) of freedom.

Scope of delivery:

Robot mechanics incl. gearbox, Servo motor adapter, Threaded protection caps, Transport and packing instructions

Connecting dimensions:



Downloads: [Connecting dimensions \(PDF\)](#), [3D model \(STP\)](#), [3D model \(PDF\)](#)

We refer to our [General Terms of Sale and Supply](#), [Terms of use](#) and [Disclaimer and Copyright notices](#).

Technical specifications:

| | |
|--|---|
| Field of application | Standard (not hygienic) |
| Kinematics | Parallel |
| Translatory Degrees of Freedom (X,Y,Z) | 3 |
| Rotational Degrees of Freedom (α, β, γ) | 1 |
| Nominal payload [kg lbs] * | 50 110.2 |
| Working area-diameter [mm in] | 2000 78.7 |
| Working height outside [mm in] | 500 19.7 |
| Working height center [mm in] | 770 30.3 |
| Output type of the tool actuation | Flange (T) |
| Number of the tool actuation (telescopic shaft(s)) | 1 |
| Max. acceleration torque of the rotation γ around Z at the output [Nm in.lbs] | 240 2124.2 |
| Nominal torque of the rotation γ around Z at the output [Nm in.lbs] | 240 2124.2 |
| Max. speed of the rotation γ around Z at the output [1/min] | 177 |
| Nominal speed of the rotation γ around Z at the output [1/min] | 124 |
| Max. acceleration torque of the tool actuation T/TS1 at the output [Nm in.lbs] | 40 354.0 |
| Nominal torque of the tool actuation T/TS1 at the output [Nm in.lbs] | 23 203.6 |
| Max. speed of the tool actuation T/TS1 at the output [1/min] | 171 |
| Nominal speed of the tool actuation T/TS1 at the output [1/min] | 114 |
| Bearing type of the telescopic shaft(s) | Roller bearing |
| Bearing type of the arm joints | Roller bearing |
| Lubricants of the bearings | Food-grade (FO) |
| Lubricants of the gearboxes | Food-grade (FO) |
| Cleaning | No high pressure |
| Ambient temperature [°C °F] | 0 to +40 +32 to +104 |
| Relative humidity level [%] | 95 (free of condensation) |
| Mounting position | Floor, Ceiling, Wall (on request), Angle (on request) |

* All given values are nominal values (nominal payload referred to a nominal performance) and can vary under realworld conditions depending on the application (tool specifications, load distances, reduction (partly) of the nominal performance when using food-grade lubricants, ...). Please consider our technical data sheets regarding the load capacity.