

ARTICULATED articc6-1969-60kg

Article number: AT_00005-SE01-FO

Lubricant variant: Food-grade lubricants (FO)



Description:

This type of robot is based on the principle of serial kinematics. All drives and motor cables are moved along. The robot has three (3) translational and three (3) rotational degrees of freedom. **Highlight:**The use of secondary-encoders is prepared for axes 1-6. This robot mechanics was developed for applications that require maximum precision.

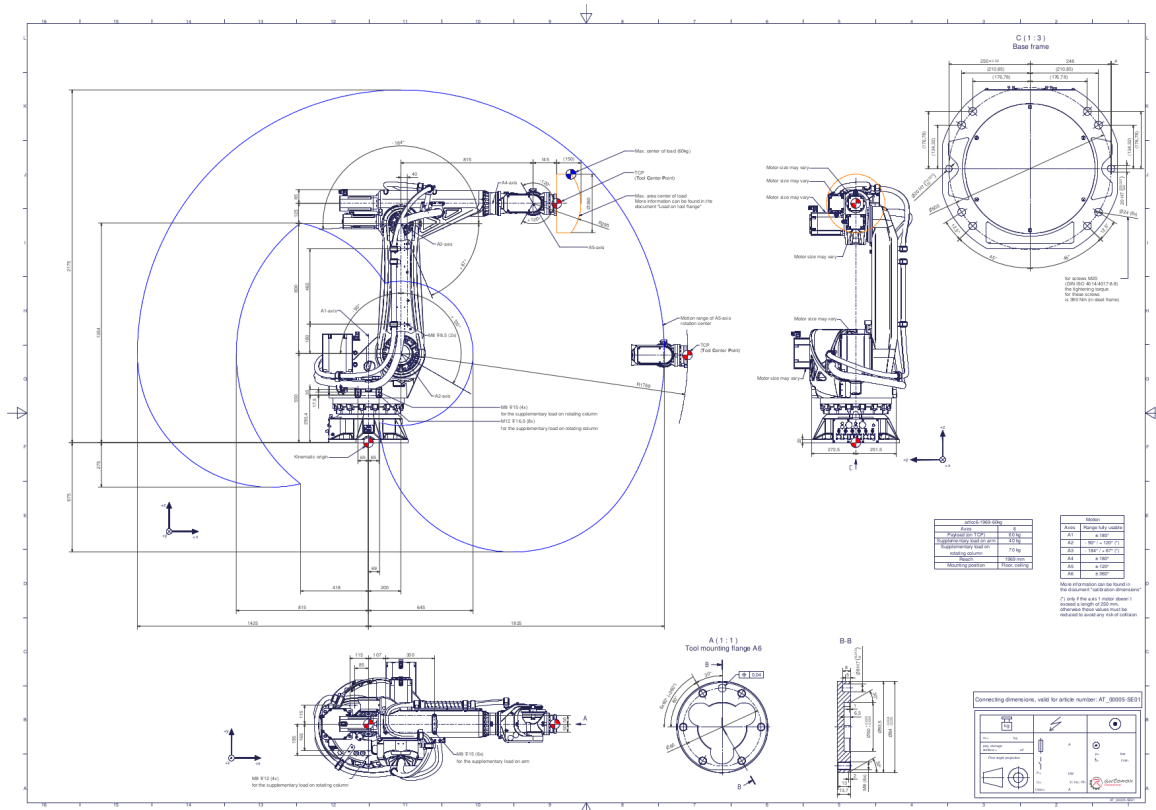
Scope of delivery:

Robot mechanics incl. gearbox, Mounting adapter for secondary-encoders, Installation of drive technology and the secondary-encoders (to be provided free of charge in each case), Multi-hour, logged test run as final quality inspection, Threaded protection caps, Transport and packing instructions

Required accessories:

Set of parts for installing the drive technology. This set consists of, for example, a servo motor adapter, servo motor cable, transmission input pinion, plug board (usually on the base frame).

Connecting dimensions:



Downloads: [Connecting dimensions \(PDF\)](#), [3D model \(STP\)](#), [3D model \(PDF\)](#)

We refer to our [General Terms of Sale and Supply](#), [Terms of use](#) and [Disclaimer and Copyright notices](#).

Technical specifications:

Field of application	Standard (not hygienic), CNC Robotics
Kinematics	Serial
Translatory Degrees of Freedom (X,Y,Z)	3
Rotational Degrees of Freedom (α, β, γ)	3
Nominal payload [kg lbs] *	60 132.3
Supplementary load on the rotating column [kg lbs]	70 154.3
Supplementary load on the arm [kg lbs]	40 88.2
Working area-reach [mm in]	1969 77.5
Lubricants of the bearings	Food-grade (FO)
Lubricants of the gearboxes	Food-grade (FO)
Cleaning	No high pressure
Protection class	IP64
Ambient temperature [°C °F]	0 to +40 +32 to +104
Relative humidity level [%]	95 (free of condensation)
Mounting position	Floor, Ceiling
Special features	The use of secondary encoders is prepared for axes 1-6. For patent law reasons not available and usable in the USA!

* All given values are nominal values (nominal payload referred to a nominal performance) and can vary under realworld conditions depending on the application (tool specifications, load distances, reduction (partly) of the nominal performance when using food-grade lubricants, ...). Please consider our technical data sheets regarding the load capacity.